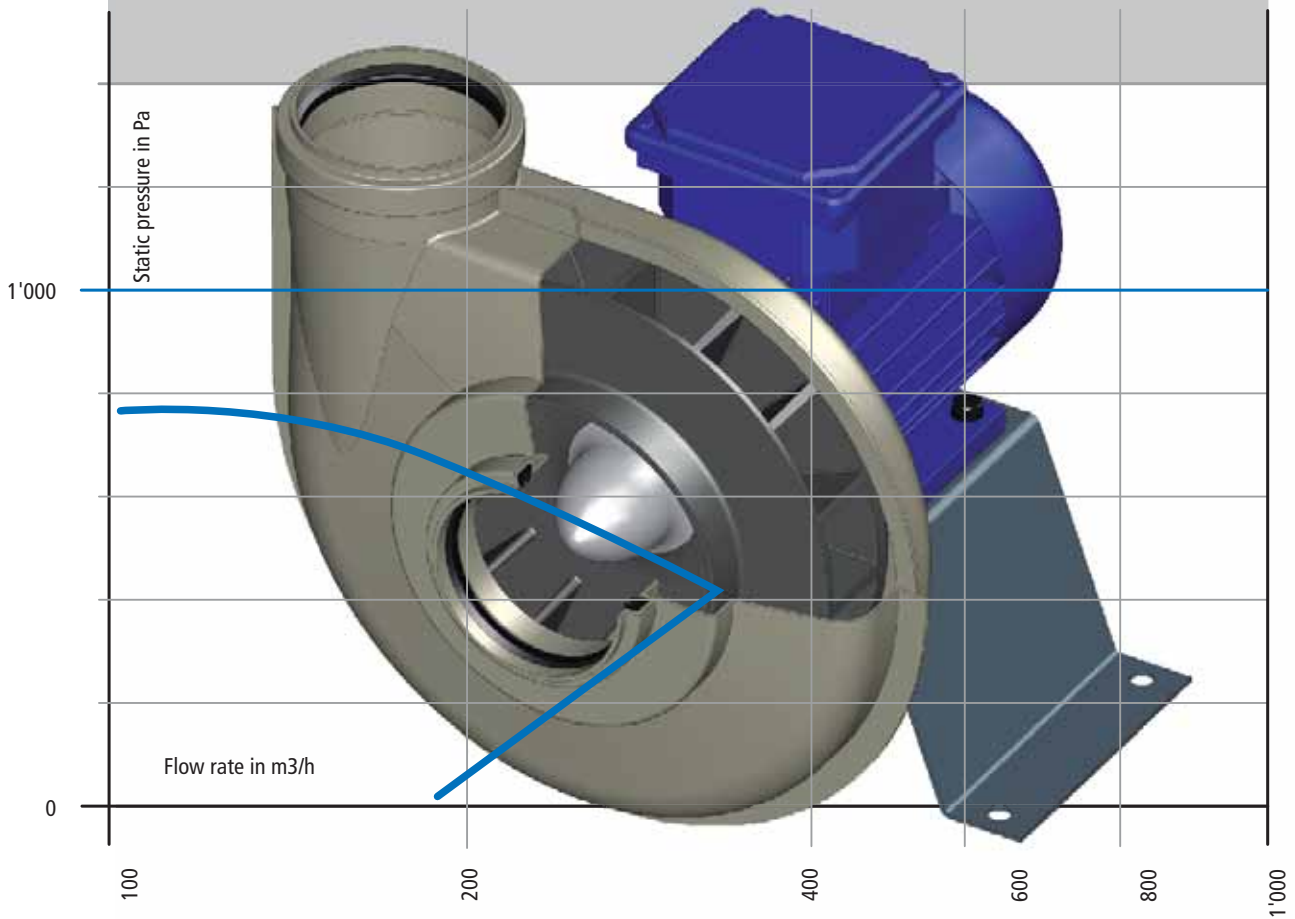


FANS

CCV 75



Small compact fan
in plastic
Direct drive



www.colasit.com

Performance

Flow rate:	min. 80m ³ /h to max. 340 m ³ /h
Static pressure:	min. 100 Pa to max. 800 Pa
Efficiency:	max. 75 %
Inlet / Outlet Ø:	75mm

Housing

- Self-supporting plastic construction
- Thermoformed
- Available in: PPs, PPs-el

Impeller

- Injection-moulded
- 20 blades
- Transmission achieved by an aluminium hub, covered with plastic
- Adaptor for easy torque transmission + moulding
- Available: PPs, PP-el

Drive

Direct drive: - Impeller mounted directly to the motor shaft

- Motor:
- Standard three-phase motors
 - one / multi-stage
 - Foot- / flange motors

EX-Protection

Construction in ATEX. Available zone 1 + 2

Hub seal

- on request

Accessories

- Motor-mounted IP 66 / IP 54 / IP 20
- Support in stainless steel

Dimensions

Fans CCV 75