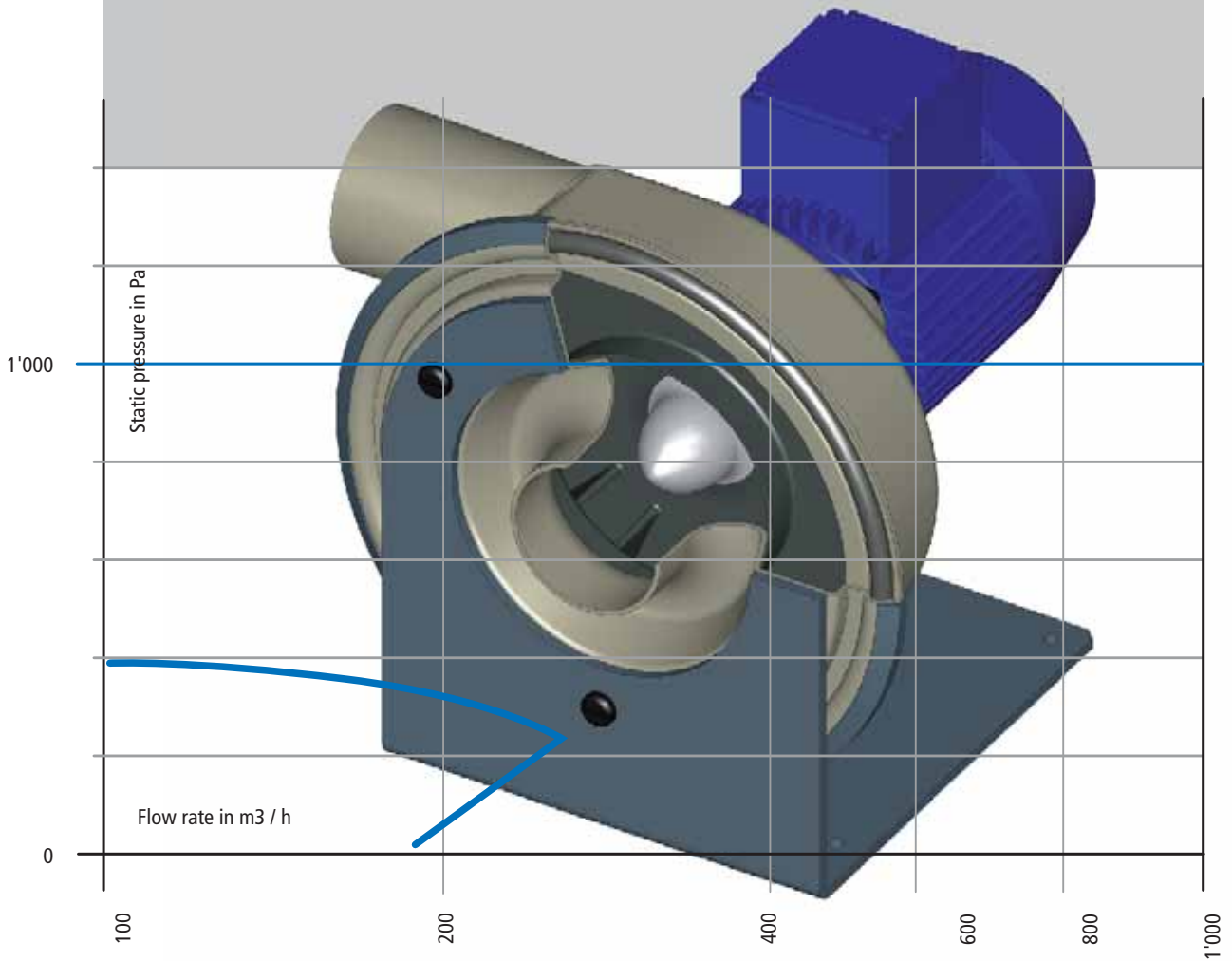


FANS

CKV 75

Small radial fan
in plastic
Direct drive



www.colasit.com

Performance

Flow rate:	min. 40m ³ /h to max. 240 m ³ /h
Static pressure:	min. 35 Pa to max. 450 Pa
Efficiency:	max. 75 %
Inlet / Outlet-Ø:	75mm

Housing

- Self-supporting plastic construction
- Thermoformed
- available in: PPs

Impeller

- Injection-moulded
- 20 blades
- Torque transmission achieved by an aluminium hub, covered with plastic
- Adaptor for easy impeller mounting
- available in: PPs

Drive

- | | |
|---------------|--|
| Direct drive: | - Impeller is mounted directly to the motor shaft |
| Motor: | - Three-phase motor <ul style="list-style-type: none">- one / multi-stage- Flange motor |

Accessories

- PVC sleeve with fixing bands, stainless
- Frequency converter IP 66 / IP 54 / IP 20
- dimensionally stable console, powder coated

Dimensions