

Overview

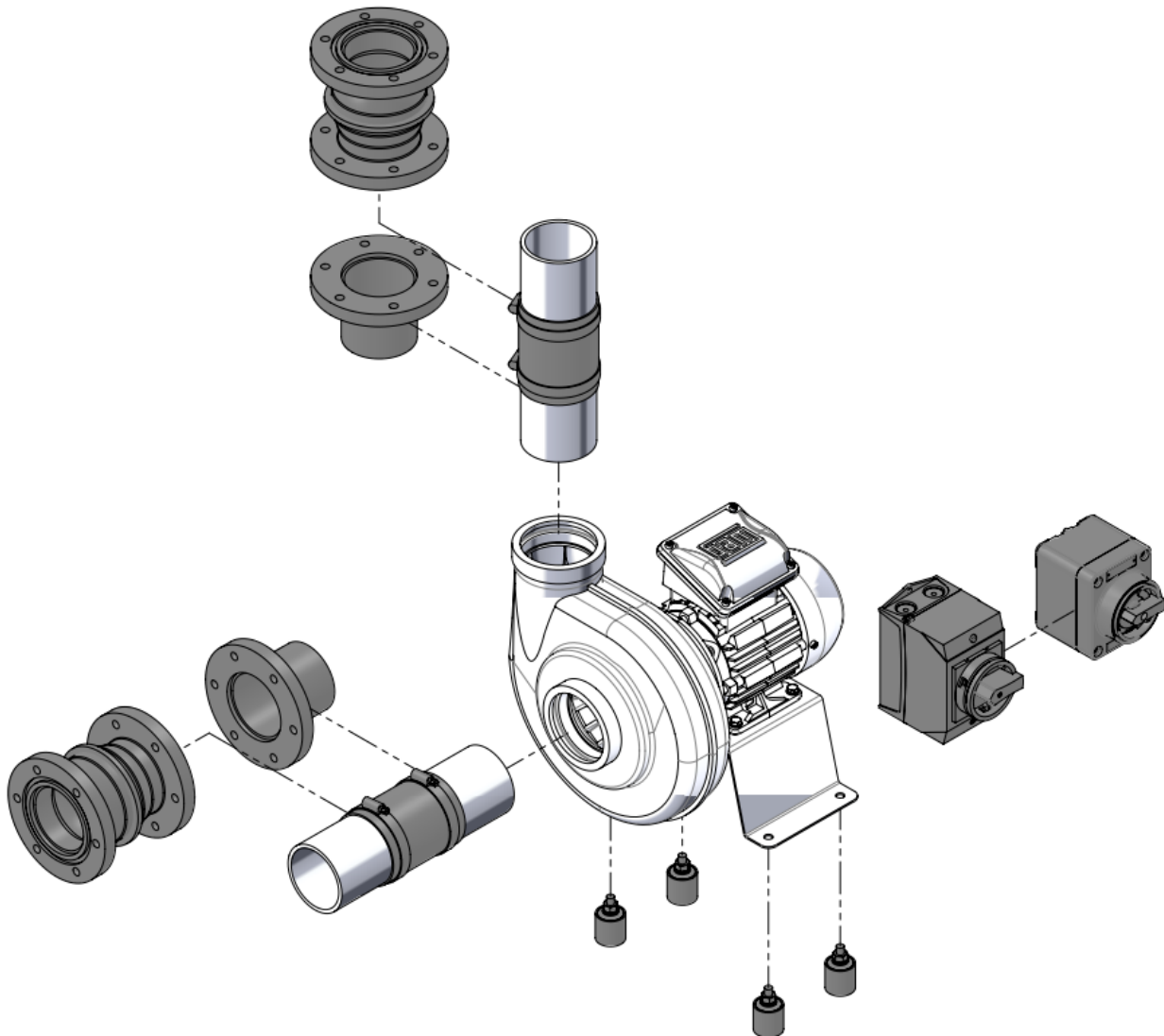


Table of contents

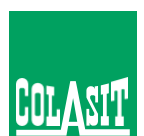
Connection pipe / sleeve round with fixing bands *	2
Flange connection *	3
Ball sleeve PPs-el with flange on both sides *	4
Vibration absorber for floor mounting *	5
Frequency inverter for speed control	6
Isolation switch	6

*Required selection for operation

Edition 2024 - Subject to alteration - Copyright by COLASIT AG Spiez

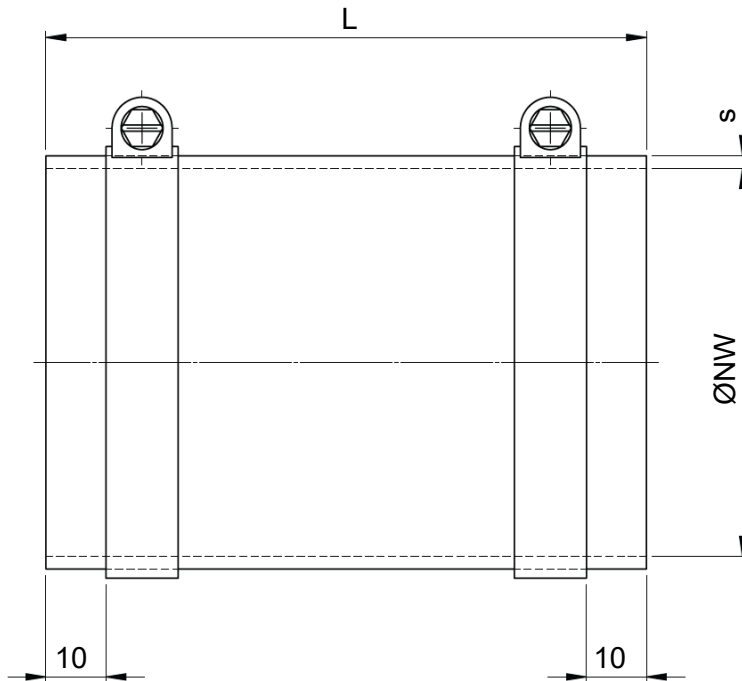
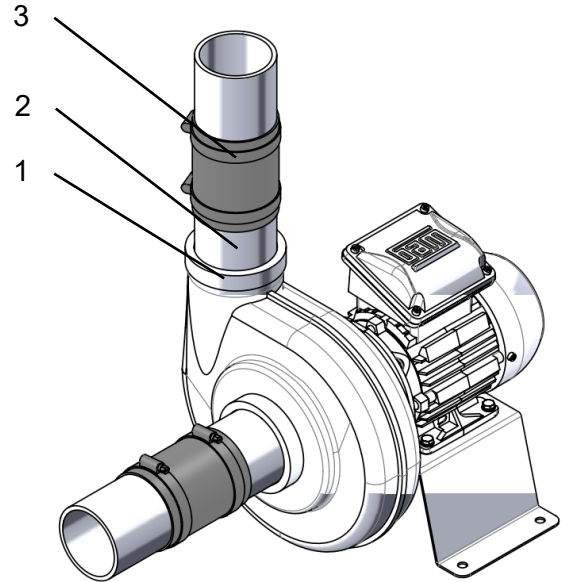
COLASIT Asia Pte Ltd
 Plastic construction • 38 Woodlands Industrial Park E1 #03-04 • Singapore 757700
 Phone +65 6852 35 80/1 • info@colasit.com.sg
www.colasit.com.sg

Competence in plastics. Worldwide.



Connection pipe / sleeve round with fixing bands *

- Pipe connection: inlet and outlet connection (1) equipped with lip seal
Direct connection plastic pipe (on site) with ND=75mm
- Sleeve round: Sleeve (3) connected to pipe section (2)
material
Soft PVC (Sleeve)
Stainless steel (fixing bands)

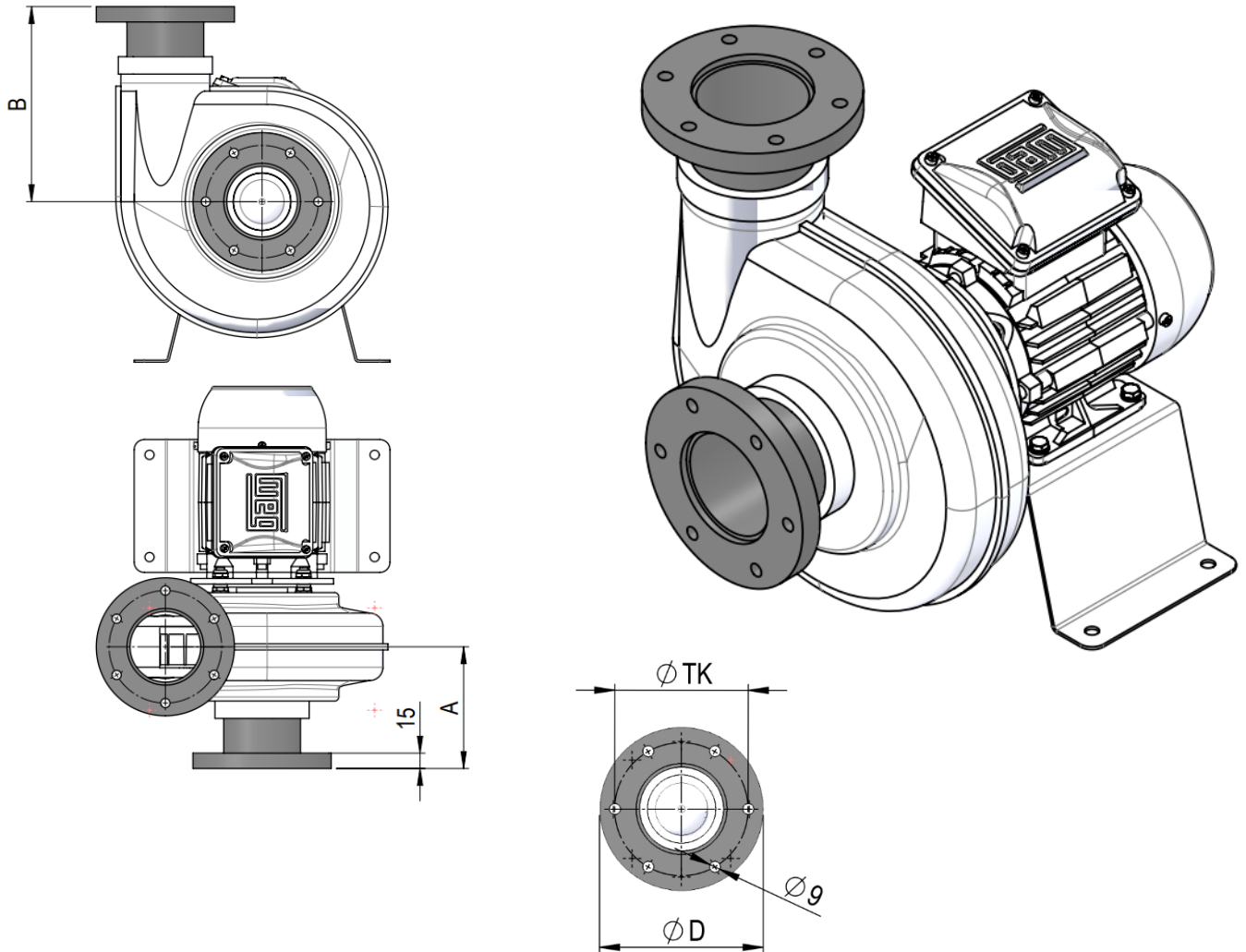


NW Ø	L	s
75	100	2

Edition 2024 - Subject to alteration - Copyright by COLASIT AG Spiez

Flange connection *

- Material PPs-el, (same as housing)
Pipe of the flange connection welded to the housing (tightness)

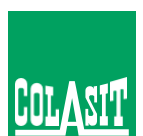


Ø NW	A	B	Ø D	Ø TC	No. Ø9	Hole pattern
75	120	190	135	110	6	X

Edition 2024 - Subject to alteration - Copyright by COLASIT AG Spiez

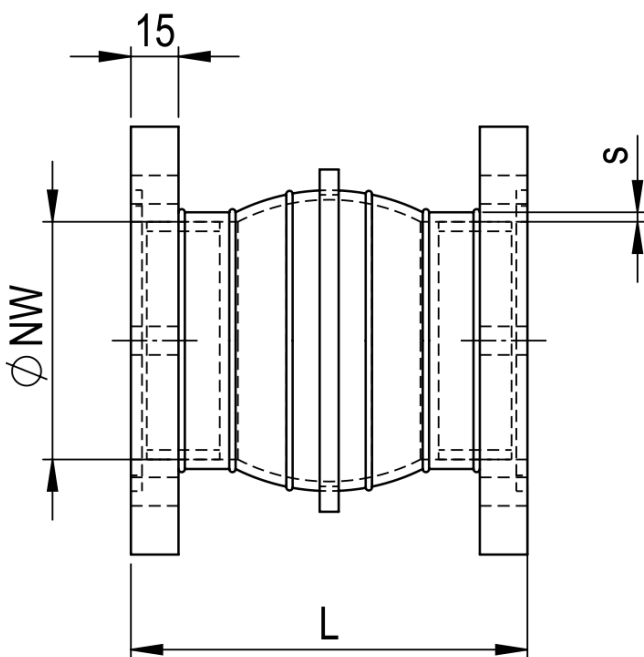
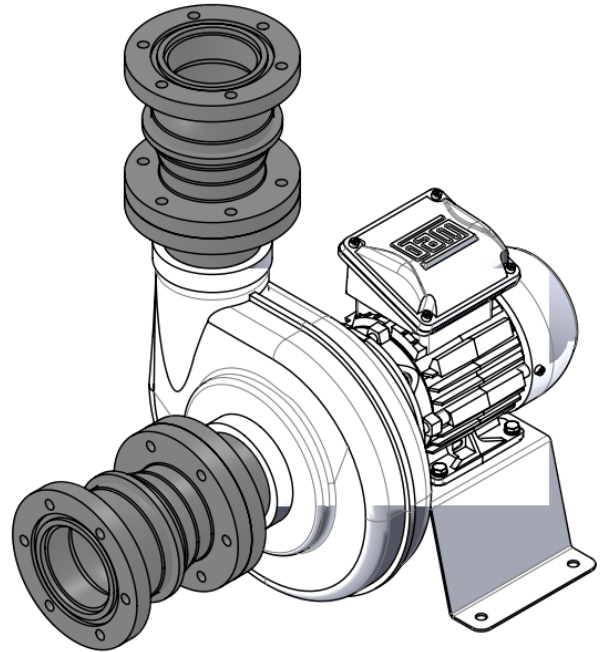
COLASIT Asia Pte Ltd
 Plastic construction • 38 Woodlands Industrial Park E1 #03-04 • Singapore 757700
 Phone +65 6852 35 80/1 • info@colasit.com.sg
www.colasit.com.sg

Competence in plastics. Worldwide.



Ball sleeve PPs-el with flange on both sides *

- Material PPs-el (flange)
PP-el (ball sleeve)
- Application in combination with "flange connection"

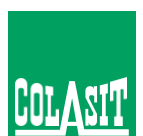


NW Ø	L	s
75	125	2

Edition 2024 - Subject to alteration - Copyright by COLASIT AG Spiez

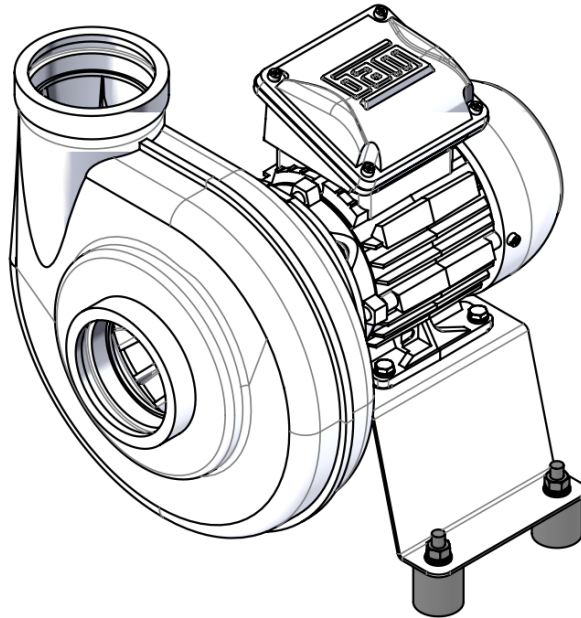
COLASIT Asia Pte Ltd
 Plastic construction • 38 Woodlands Industrial Park E1 #03-04 • Singapore 757700
 Phone +65 6852 35 80/1 • info@colasit.com.sg
www.colasit.com.sg

Competence in plastics. Worldwide.

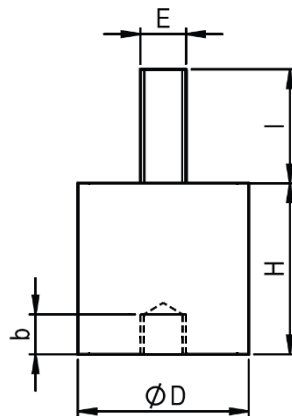


Vibration absorber for floor mounting *

- Material Natural rubber (vibration element)
Galvanised, stainless steel (vibration damper fastening)



Vibration damper for floor mounting



Round buffer Type	Dimensions					Max. Load per pc.
	D	H	E	I	b	
30/30, B	30	30	M8	20	7	50 kg

Fan type	Floor mounting	Number of elements
CCV 75	30/30, B	4

Edition 2024 - Subject to alteration - Copyright by COLASIT AG Spiez



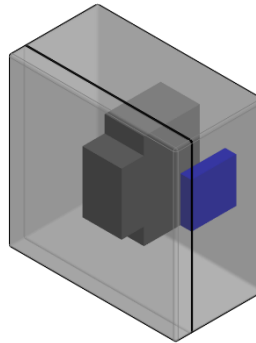
Frequency inverter for speed control

Frequency inverter

- Safety class IP20 to IP55
- Speed adjustment Stepless with integrated control panel
Stepless with external control signal



*Frequency inverter IP20
for control cabinet installation*



*Frequency inverter IP55
for external installation*

Isolation switch

- Safety class IP66
- Revision protection: lockable

