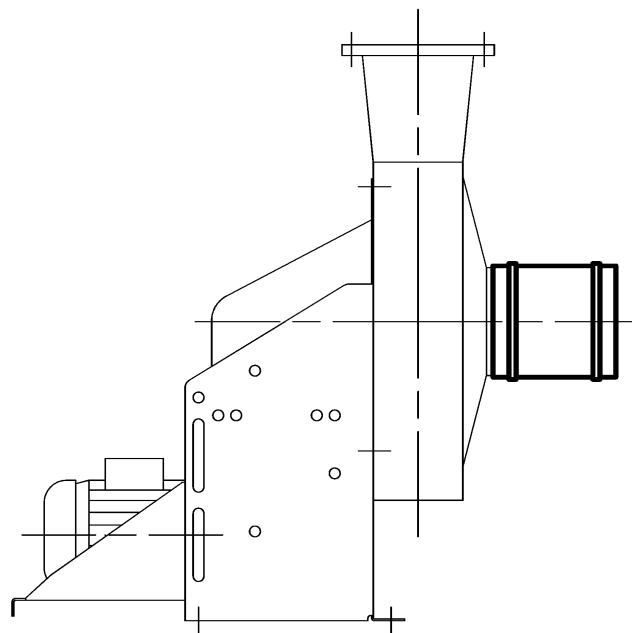
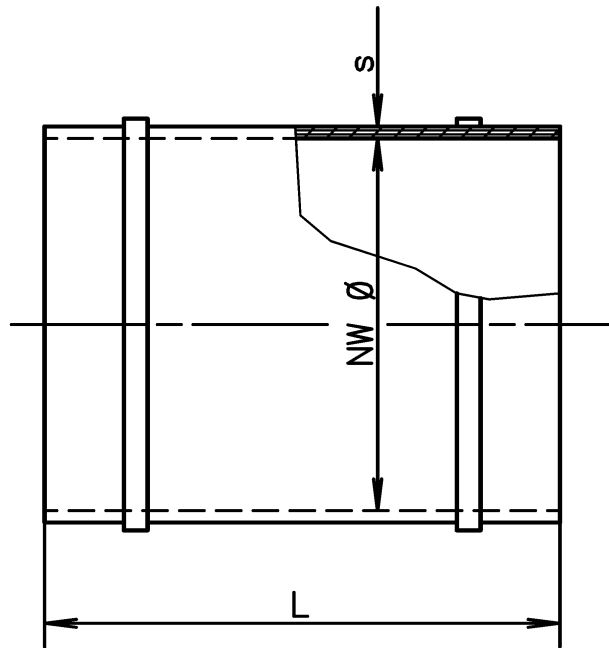


Sleeve PVC round with fixing bands, stainless

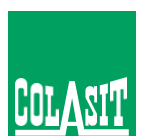


NW Ø	L	s
63-250	100	2

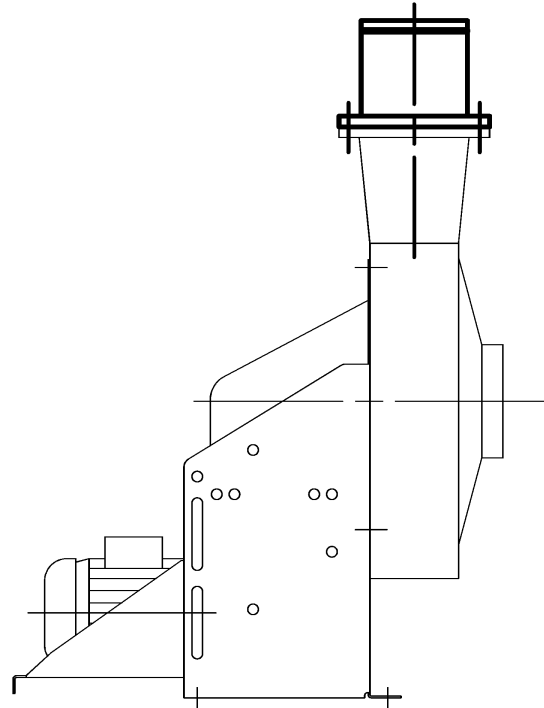
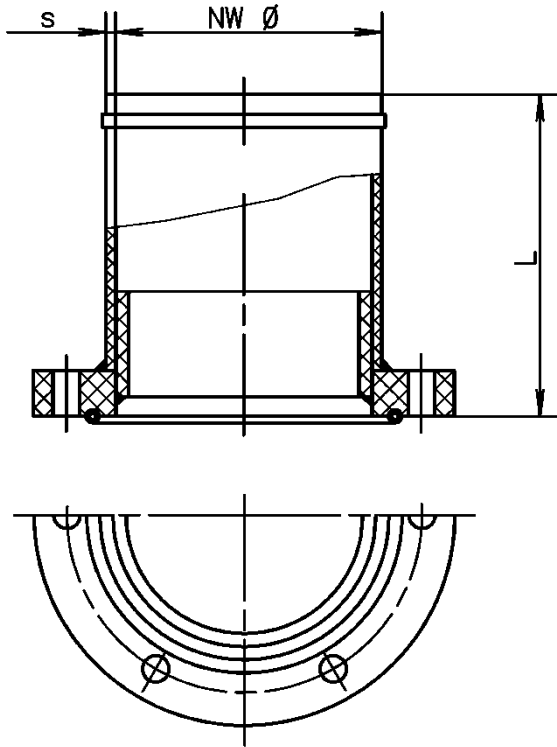
Edition 2024 • Subject to alteration • Copyright by COLASIT AG Spiez

COLASIT Asia Pte Ltd  
 Plastic construction • 38 Woodlands Industrial Park E1 #03-04 • Singapore 757700  
 Phone +65 6852 35 80/1 • info@colasit.com.sg  
[www.colasit.com.sg](http://www.colasit.com.sg)

Competence in plastics. Worldwide.



Sleeve PVC with flange on one side



NW Ø	L	s
63-90	110	2
125-200	112	2
250	115	2

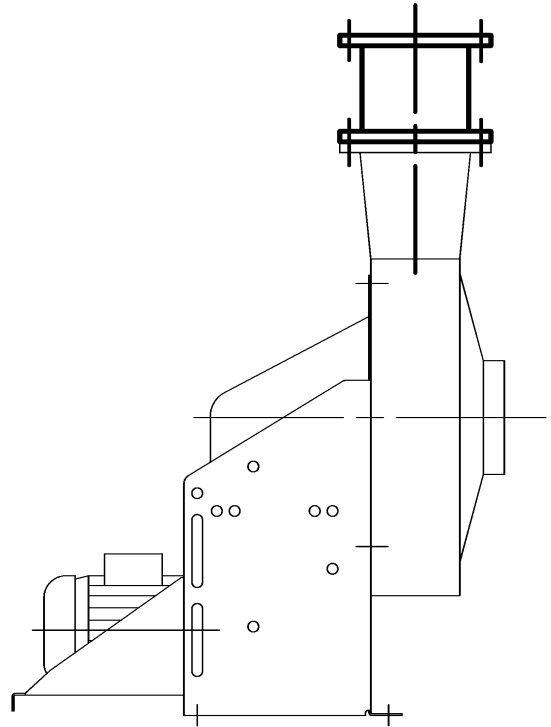
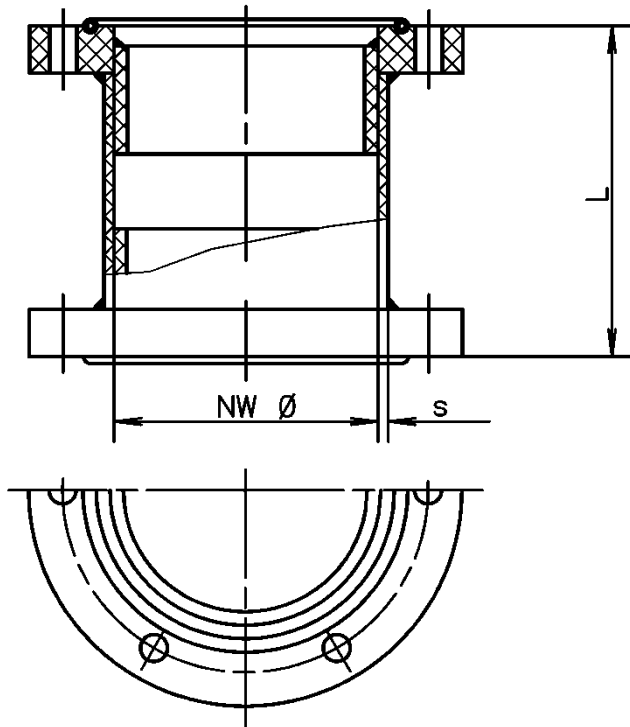
Edition 2024 • Subject to alteration • Copyright by COLASIT AG Spiez

COLASIT Asia Pte Ltd  
 Plastic construction • 38 Woodlands Industrial Park E1 #03-04 • Singapore 757700  
 Phone +65 6852 35 80/1 • info@colasit.com.sg  
[www.colasit.com.sg](http://www.colasit.com.sg)

Competence in plastics. Worldwide.



Sleeve PVC round with flanges on both sides



NW Ø	L	s
63-90	120	2
125-200	124	2
250	130	2

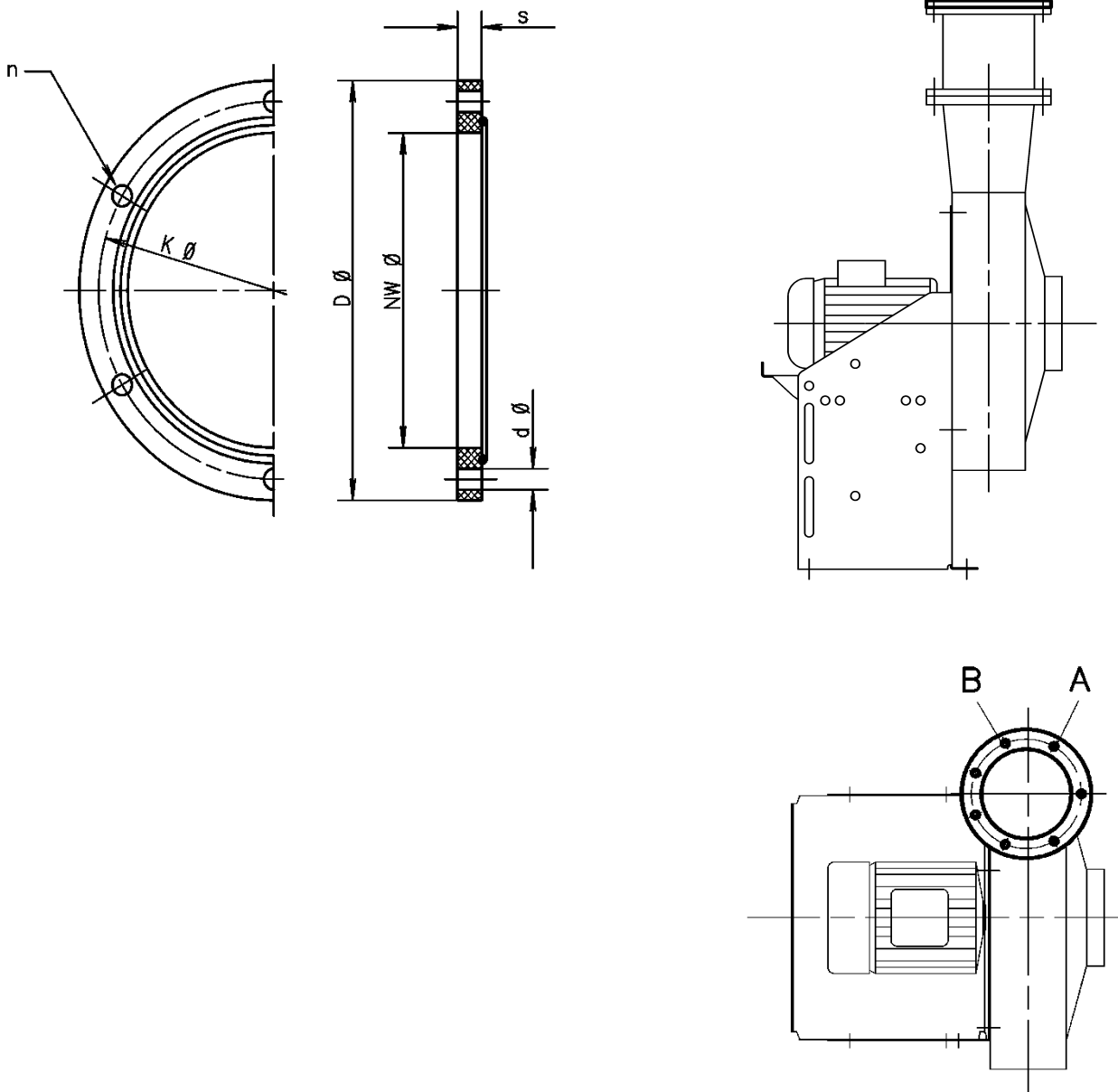
Edition 2024 • Subject to alteration • Copyright by COLASIT AG Spiez

COLASIT Asia Pte Ltd  
 Plastic construction • 38 Woodlands Industrial Park E1 #03-04 • Singapore 757700  
 Phone +65 6852 35 80/1 • info@colasit.com.sg  
[www.colasit.com.sg](http://www.colasit.com.sg)

Competence in plastics. Worldwide.



Flange PP / PPs / PPs-el / PVC / PE / PVDF

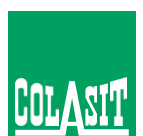


Fan Type NW Ø	Dimensions					
	D	s	K	d	n	Pos
63	120	12	95	9	6 x 60°	A
90	150	12	125	9	6 x 60°	A
125	185	12	160	9	6 x 60°	A
160	220	12	195	9	8 x 45°	B
200	260	12	235	9	10 x 36°	A
250	310	12	285	9	10 x 36°	A

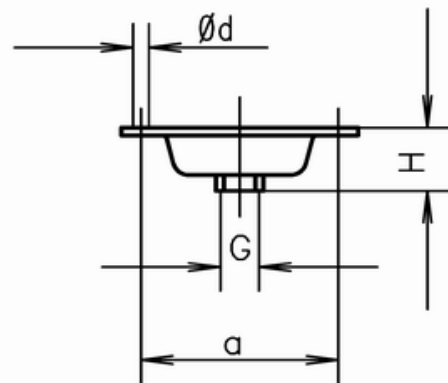
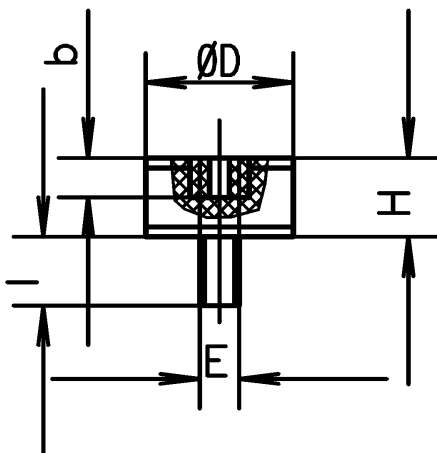
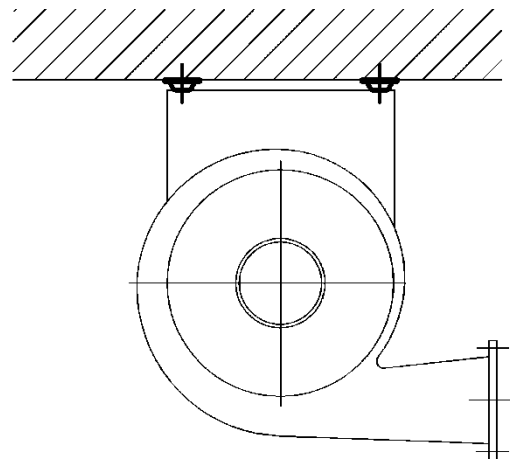
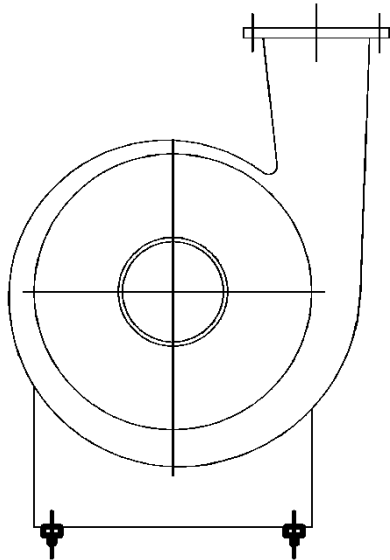
Edition 2024 • Subject to alteration • Copyright by COLASIT AG Spiez

COLASIT Asia Pte Ltd  
 Plastic construction • 38 Woodlands Industrial Park E1 #03-04 • Singapore 757700  
 Phone +65 6852 35 80/1 • info@colasit.com.sg  
[www.colasit.com.sg](http://www.colasit.com.sg)

Competence in plastics. Worldwide.



Vibration absorbers for ground erection or ceiling suspension



Vibration damper Type	Dimensions				
	D	H	E	I	b
V 8/40	40	40	M8	23	7

Bell Elements Type	Dimensions			
	H	G	a	d
G-E 10	30	M10	85	10,5

Fan Type	For ground erection	For ceiling suspension	Number of elementes
CHVS 63-250	V 8/40	G-E 10	4

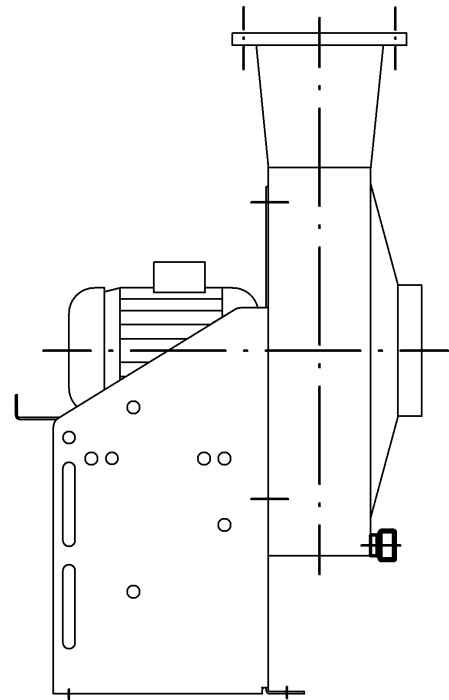
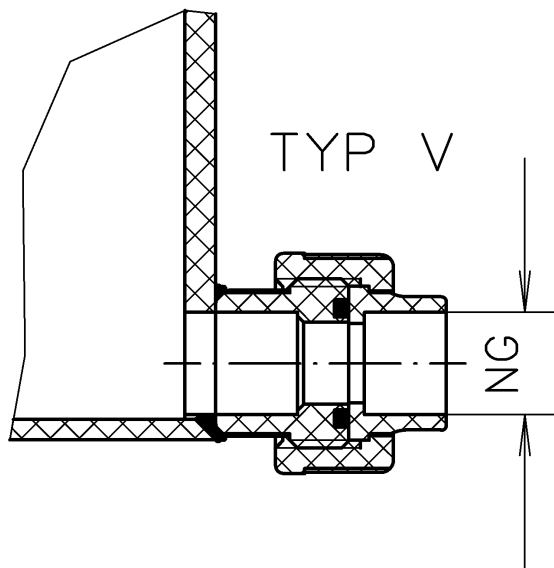
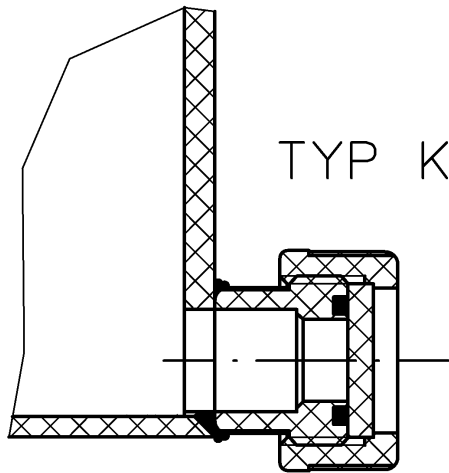
Edition 2024 • Subject to alteration • Copyright by COLASIT AG Spiez

COLASIT Asia Pte Ltd  
 Plastic construction • 38 Woodlands Industrial Park E1 #03-04 • Singapore 757700  
 Phone +65 6852 35 80/1 • info@colasit.com.sg  
[www.colasit.com.sg](http://www.colasit.com.sg)

Competence in plastics. Worldwide.



Drain

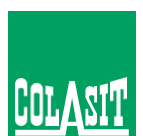


Fan Type	With cap	With fitting	NG
CHVS 63-250	Typ K	Typ V	20

Edition 2024 • Subject to alteration • Copyright by COLASIT AG Spiez

COLASIT Asia Pte Ltd  
 Plastic construction • 38 Woodlands Industrial Park E1 #03-04 • Singapore 757700  
 Phone +65 6852 35 80/1 • info@colasit.com.sg  
[www.colasit.com.sg](http://www.colasit.com.sg)

Competence in plastics. Worldwide.



Splinter protection

