

Overview

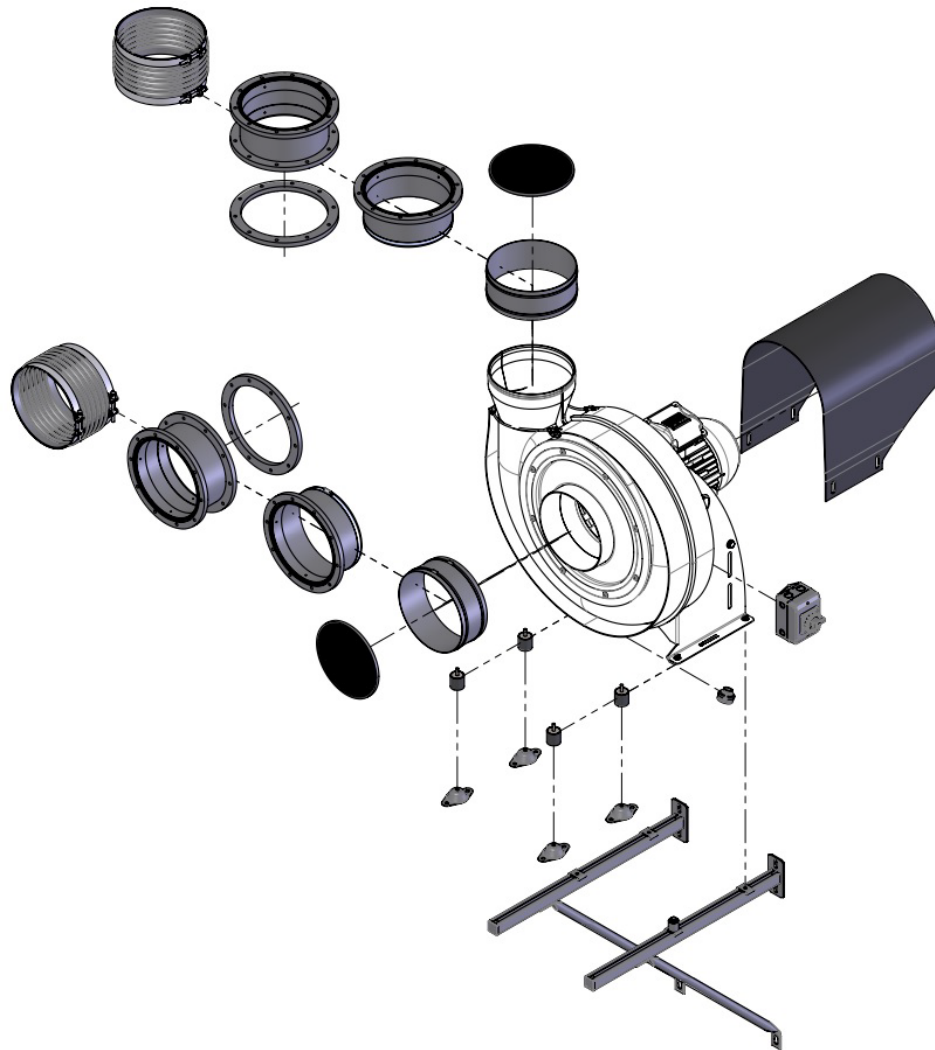


Table of contents

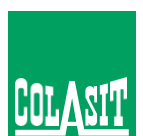
Cuff round with hose clamps *	2
Round collar with flange on one side and hose clamp *	3
Round collar with flange on both sides *	4
Flange CN *	5
Wellflex sleeve with hose clamps *	6
Vibration damper / bell element for floor/ceiling mounting *	9
Protective grille (mesh grille)	10
Condensate nozzle	Fehler! Textmarke nicht definiert.
Hub seals	12
Motor cover	14
Wall brackets	15
Frequency inverter for speed control	16
Inspection switch	16

*Required selection for operation

Edition 2024 • Subject to alteration • Copyright by COLASIT AG Spiez

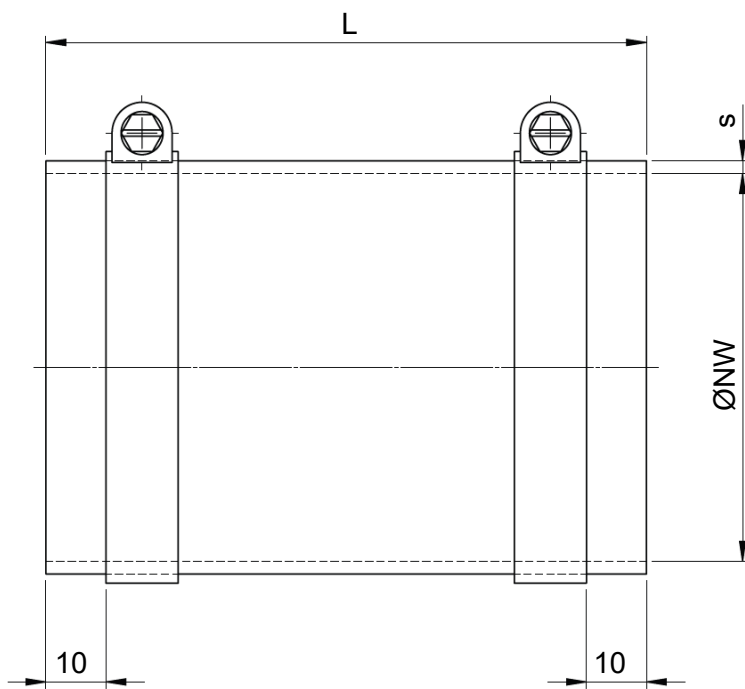
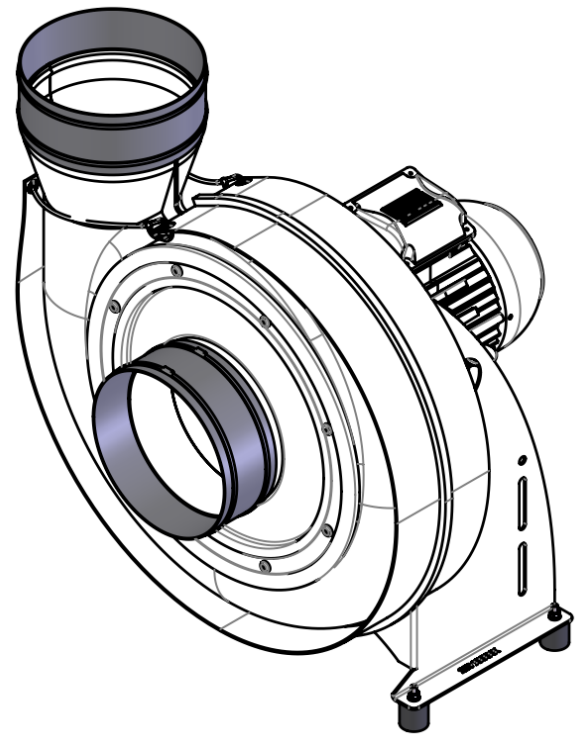
COLASIT Asia Pte Ltd
 Plastic construction • 38 Woodlands Industrial Park E1 #03-04 • Singapore 757700
 Phone +65 6852 35 80/1 • info@colasit.com.sg
 www.colasit.com.sg

Competence in plastics. Worldwide.



Sleeve round with hose clamps *

- Material Soft PVC (cuff)
 Stainless steel (hose clamp)

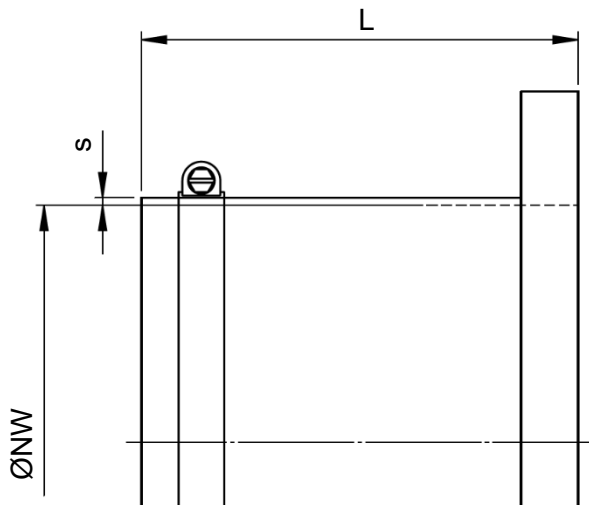
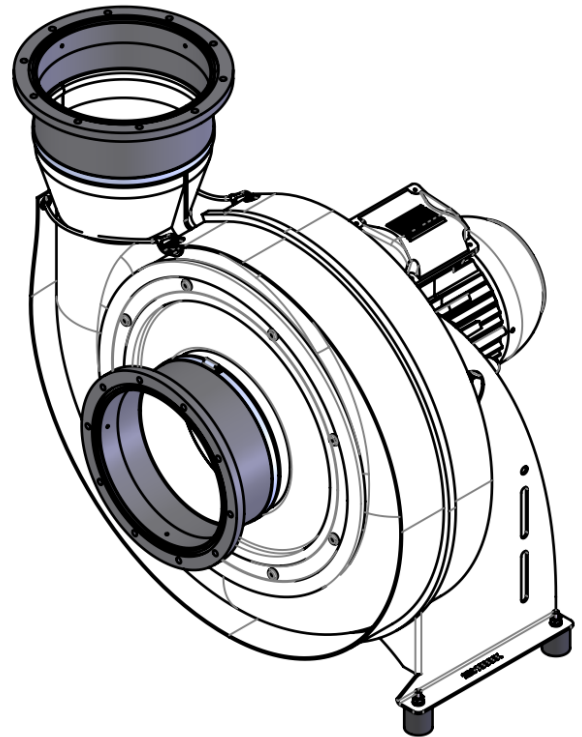


Ø NW	L	s
125, 160, 200, 250, 315	100	2
400	125	3

Edition 2024 • Subject to alteration • Copyright by COLASIT AG Spiez

Round sleeve with flange on one side and hose clamp *

- Material PVC (flange)
 Soft PVC (cuff)
- Application Stainless steel (hose clamp)
 in combination with "Flange CN"

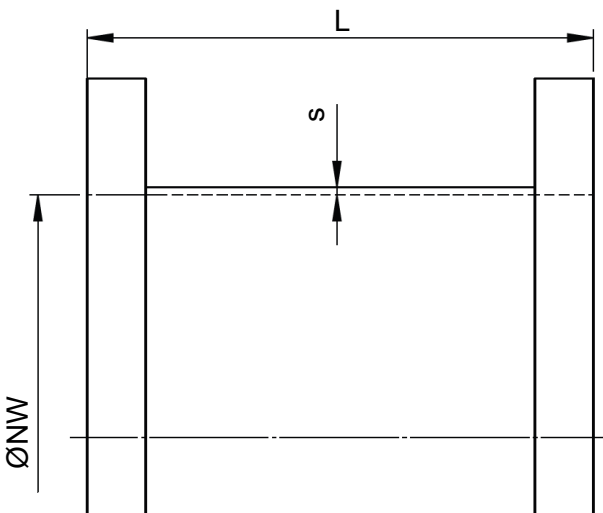
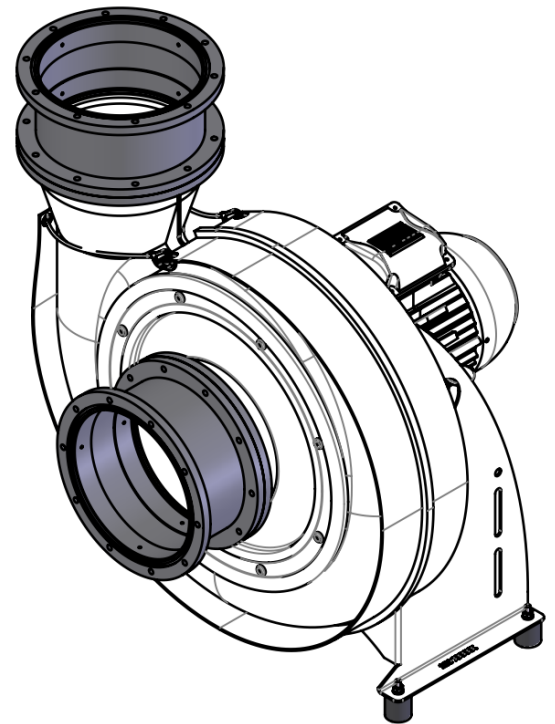


Ø NW	L	s
125, 160, 200, 250, 315	115	2
400	140	3

Edition 2024 • Subject to alteration • Copyright by COLASIT AG Spiez

Round sleeve with flange on both sides *

- Material PVC (flange)
 Soft PVC (sleeve)
- Application in combination with "Flange CN"

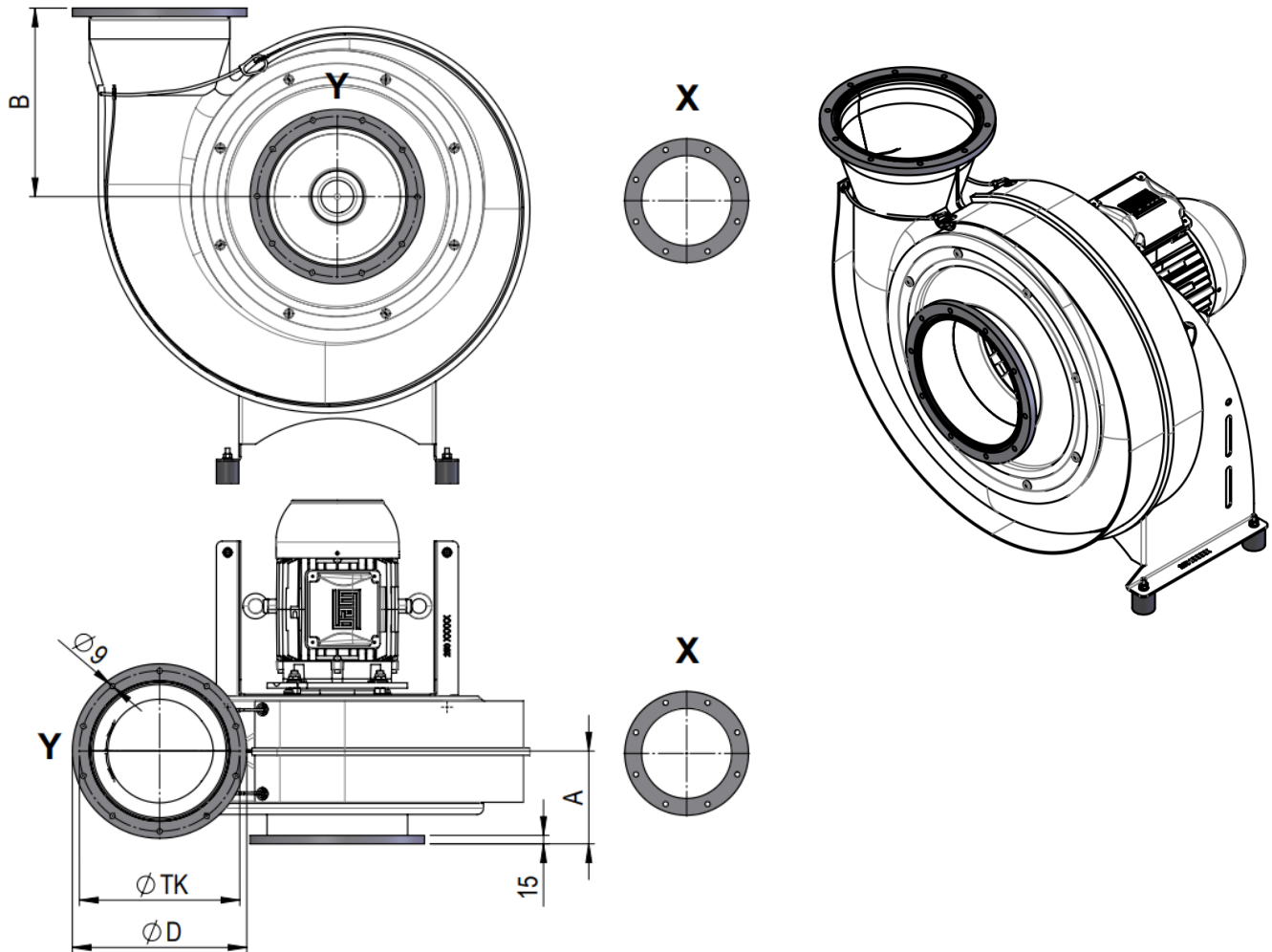


Ø NW	L	s
125, 160, 200, 250, 315	130	2
400	155	3

Edition 2024 • Subject to alteration • Copyright by COLASIT AG Spiez

Flange CN *

- Material PE, PPs, PPs-el, PVDF, PVC (same as housing / intake cover plate)

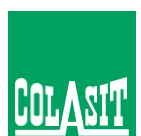


Ø NW	A	B	Ø D	Ø TC	No. Ø9	Hole pattern
125	115	205	185	160	6	Y
160	125	230	220	195	8	X
200	145	280	260	235	10	Y
250	165	335	310	285	10	Y
315	195	405	375	350	12	X
400	224	430	480	445	18	Y

Edition 2024 • Subject to alteration • Copyright by COLASIT AG Spiez

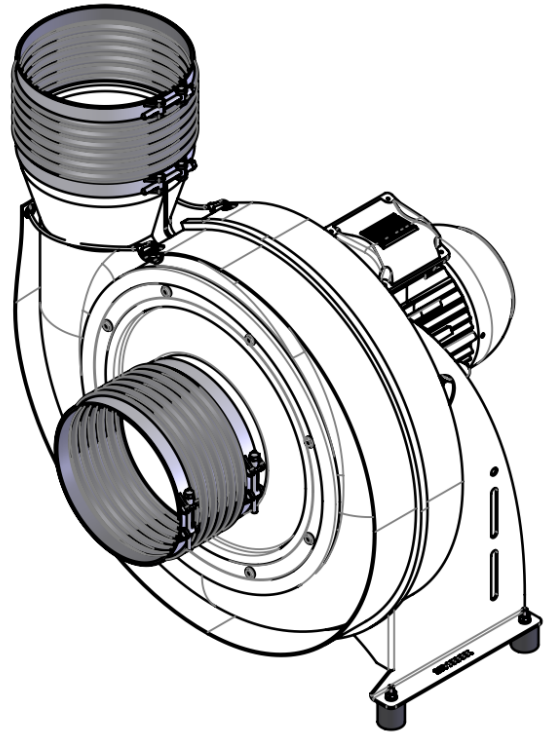
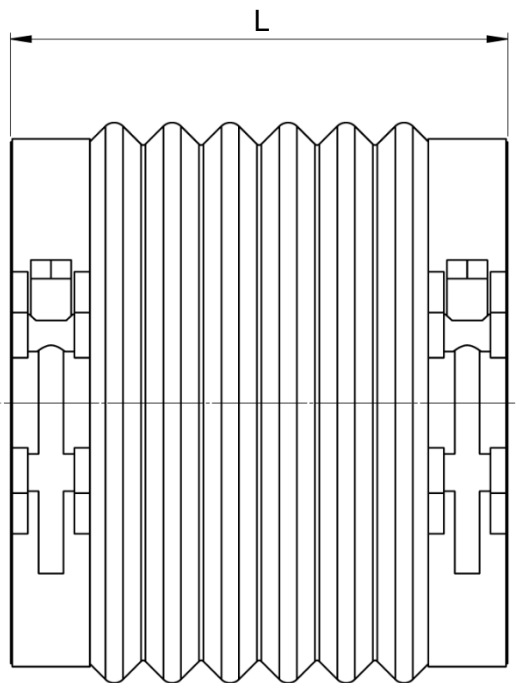
COLASIT Asia Pte Ltd
 Plastic construction • 38 Woodlands Industrial Park E1 #03-04 • Singapore 757700
 Phone +65 6852 35 80/1 • info@colasit.com.sg
 www.colasit.com.sg

Competence in plastics. Worldwide.



Wellflex sleeve with hose clamps *

- Material PVC-el (sleeve, electrically conductive)
 Galvanised (hose clamp)
- Application ATEX (Zone 1)

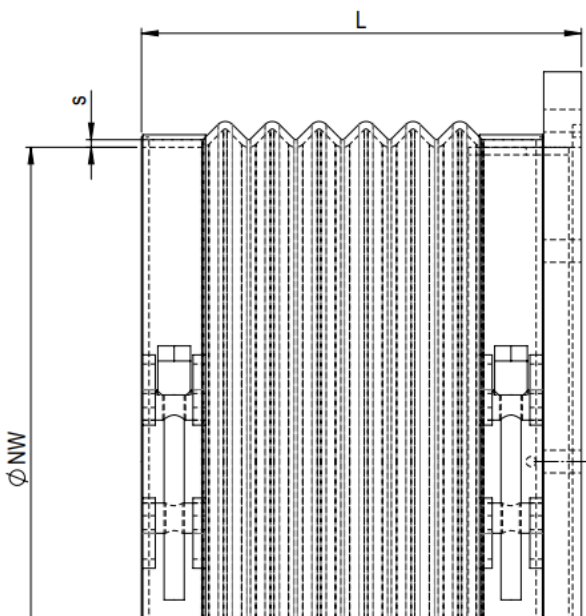
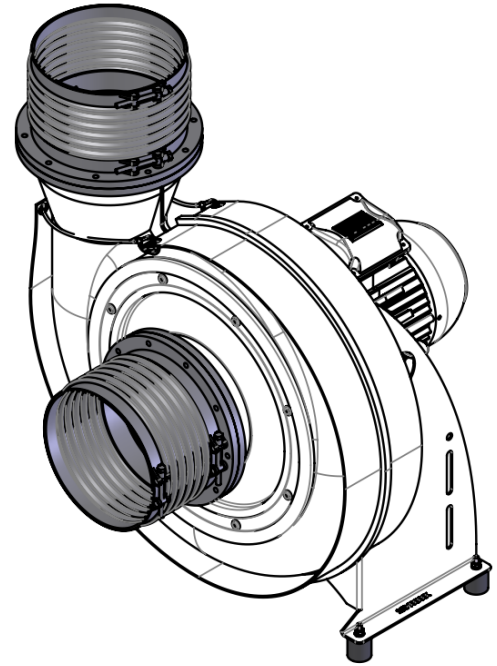


NW Ø	L
125, 160, 200	155
250, 315, 400	160

Edition 2024 • Subject to alteration • Copyright by COLASIT AG Spiez

Wellflex sleeve round with flange on one side *

- Material PVC (flange)
 PVC-el (sleeve, electrically dissipative)
 galvanised (hose clamp)
- Application ATEX (zone 1)



Ø NW	L	s
125, 160, 200 250, 315, 400	175	3

Edition 2024 • Subject to alteration • Copyright by COLASIT AG Spiez

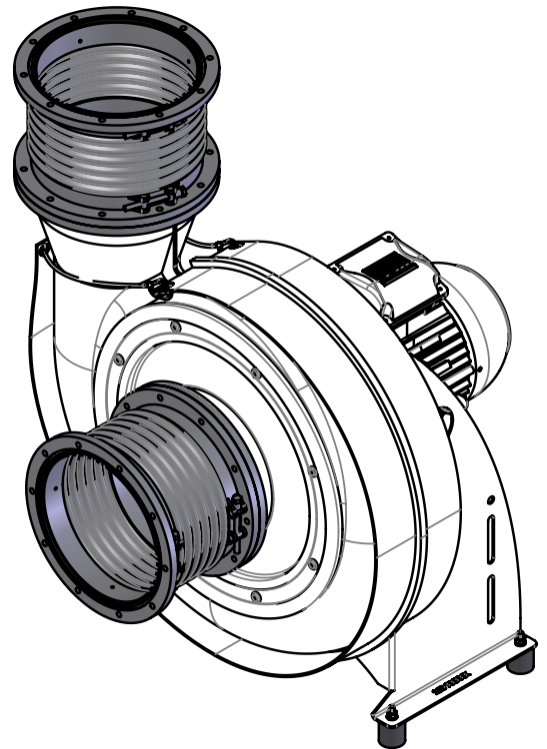
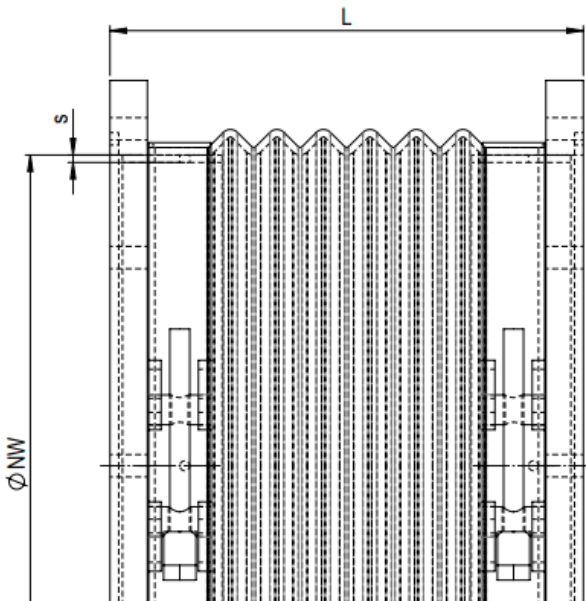
COLASIT Asia Pte Ltd
 Plastic construction • 38 Woodlands Industrial Park E1 #03-04 • Singapore 757700
 Phone +65 6852 35 80/1 • info@colasit.com.sg
www.colasit.com.sg

Competence in plastics. Worldwide.



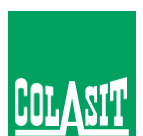
Wellflex sleeve round with flange on both sides *

- Material PVC (flange)
PVC-el (sleeve, electrically dissipative)
galvanised (hose clamp)
- Application in Kombination mit «Flansch CN»
ATEX (zone 1)



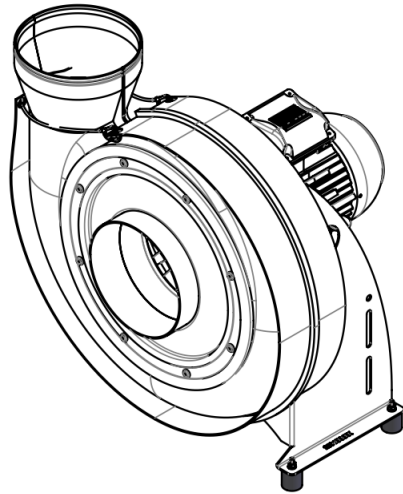
Ø NW	L	s
125, 160, 200, 250, 315, 400	190	3

Edition 2024 • Subject to alteration • Copyright by COLASIT AG Spiez

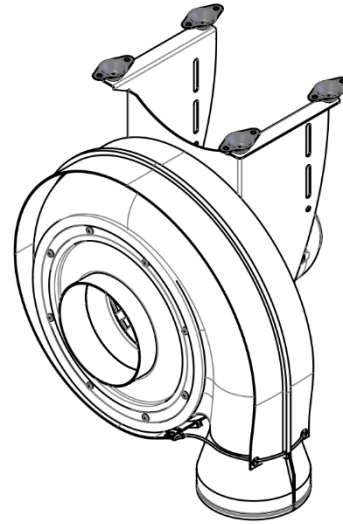


Vibration absorber / bell element for floor/ceiling mounting *

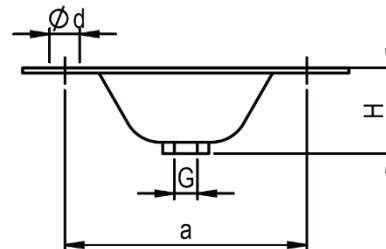
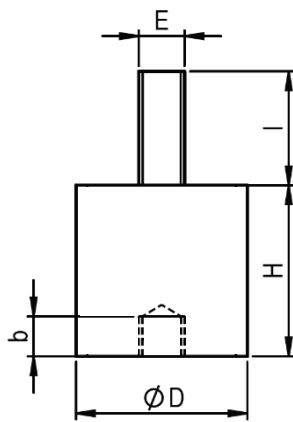
- material Natural rubber (vibrating element)
Galvanised, stainless steel (mounting vibration damper)
Galvanised (mounting bell element)



Vibration absorber for floor mounting



Bell element for ceiling mounting

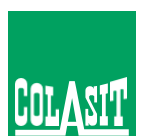


Round buffer Type	Dimensions					Max. Load per pc.
	D	H	E	I	b	
30/30, B	30	30	M8	20	7	50 kg
40/40, B	40	40	M8	23	7	90 kg

Bell element Type	Dimensions				Max. Load per pc.
	H	G	a	d	
M6	33	M6	58	6,5	16 kg
M10	30	M10	85	10,5	50 kg

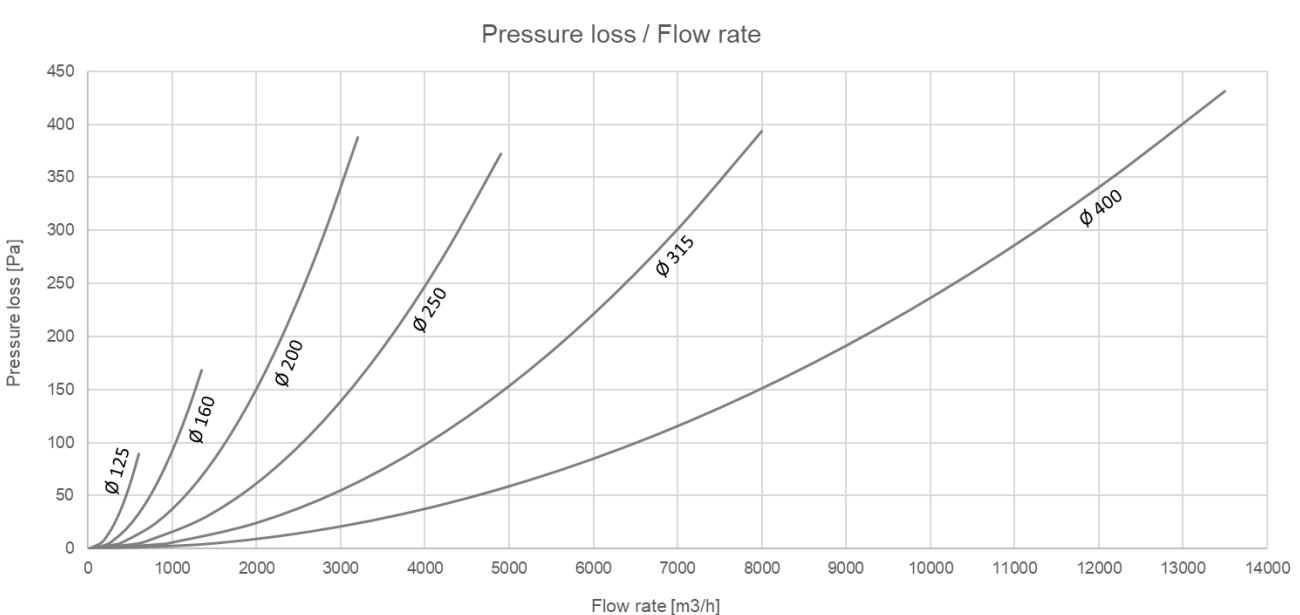
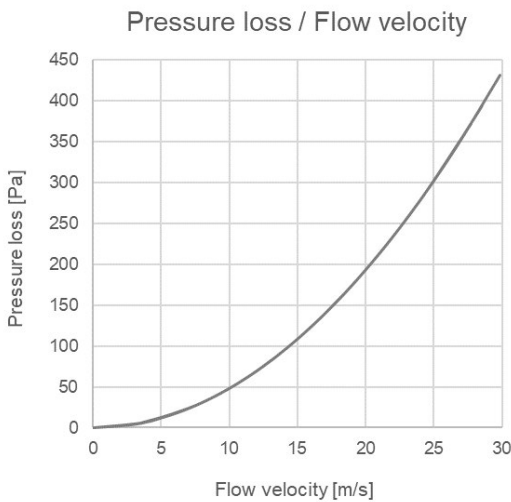
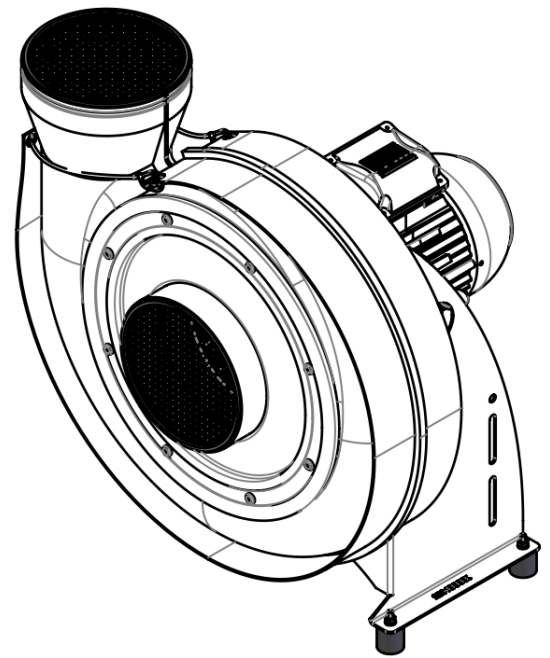
Fan type	Floor mounting	Ceiling mounting	Number of elements
CMVeco 125, 160, 200	30/30, B	M6	4
CMVeco 250, 315, 400	40/40, B	M10	4

Edition 2024 • Subject to alteration • Copyright by COLASIT AG Spiez

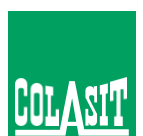


Protective grid (mesh grille)

- Material PE, PPs, PPs-el, PVC (same as housing / intake cover plate)
- Square perforation 10mm (IP20)
- Free cross-section 69.4%
- Mounting welded on
- Application only with free sucking or blowing out required

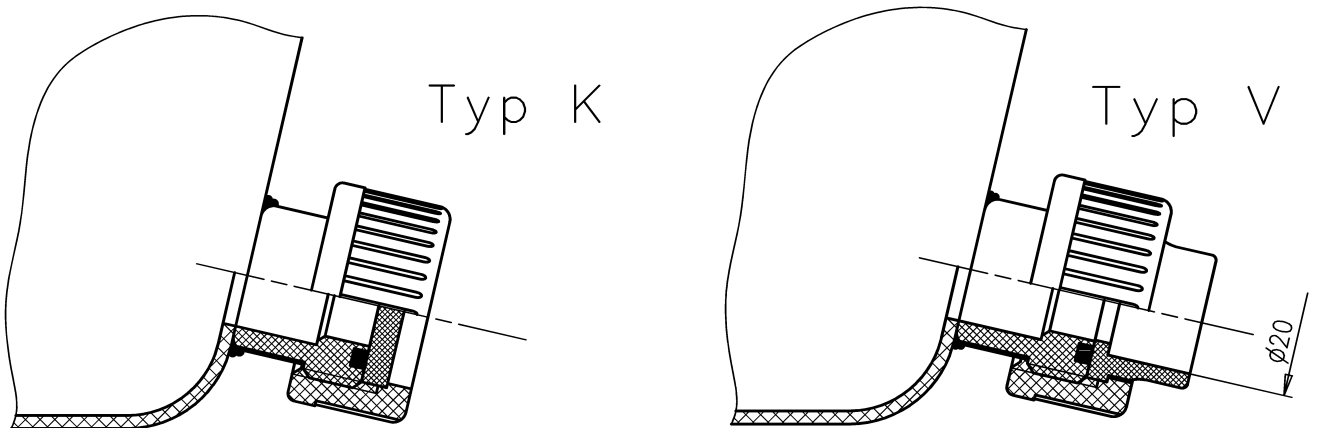
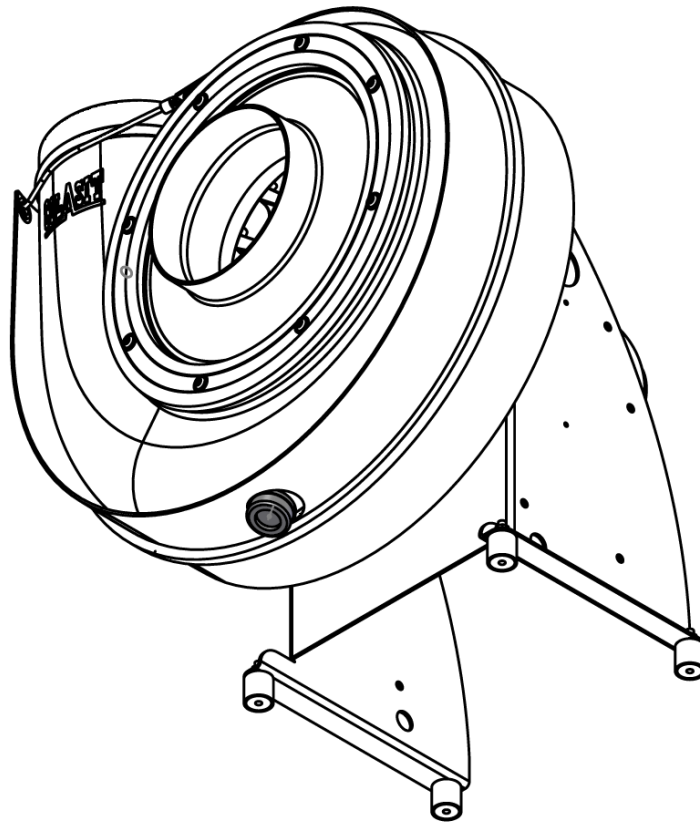


Edition 2024 • Subject to alteration • Copyright by COLASIT AG Spiez



Casing drain

- Material PE, PP, PVDF

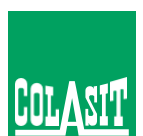


Fan type	with cap	with threaded fasteners
CMVeco 125-400	Type K	Type V

Edition 2024 • Subject to alteration • Copyright by COLASIT AG Spiez

COLASIT Asia Pte Ltd
 Plastic construction • 38 Woodlands Industrial Park E1 #03-04 • Singapore 757700
 Phone +65 6852 35 80/1 • info@colasit.com.sg
 www.colasit.com.sg

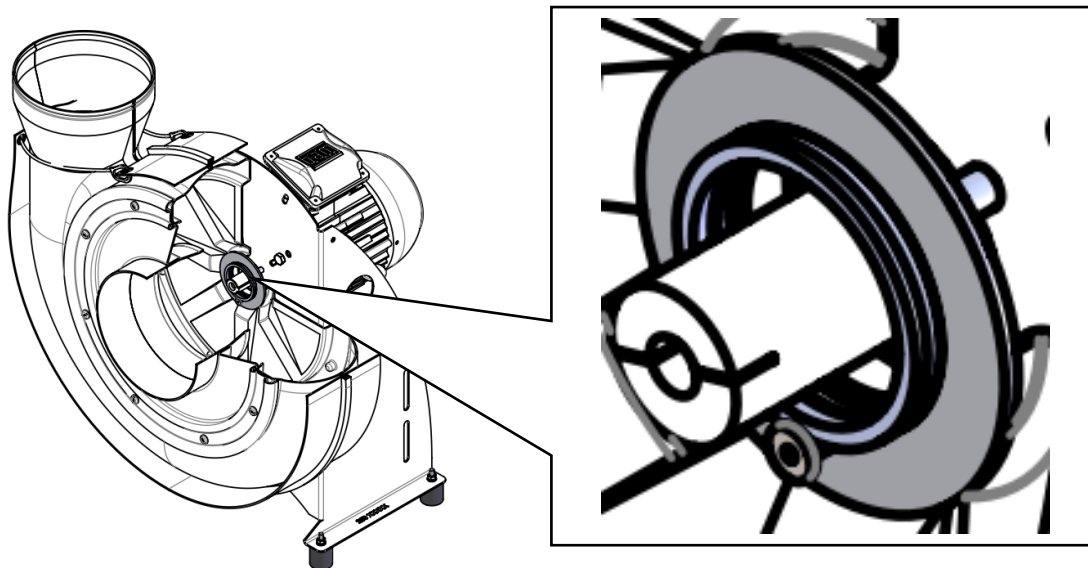
Competence in plastics. Worldwide.



Hub seals

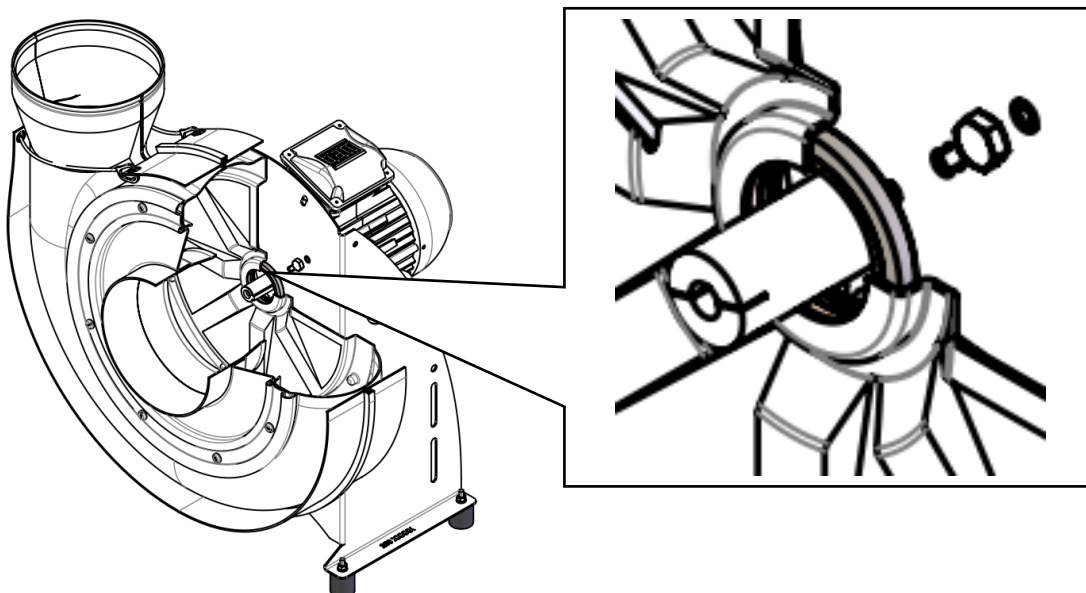
V-ring seal

- Material V4A / FPM



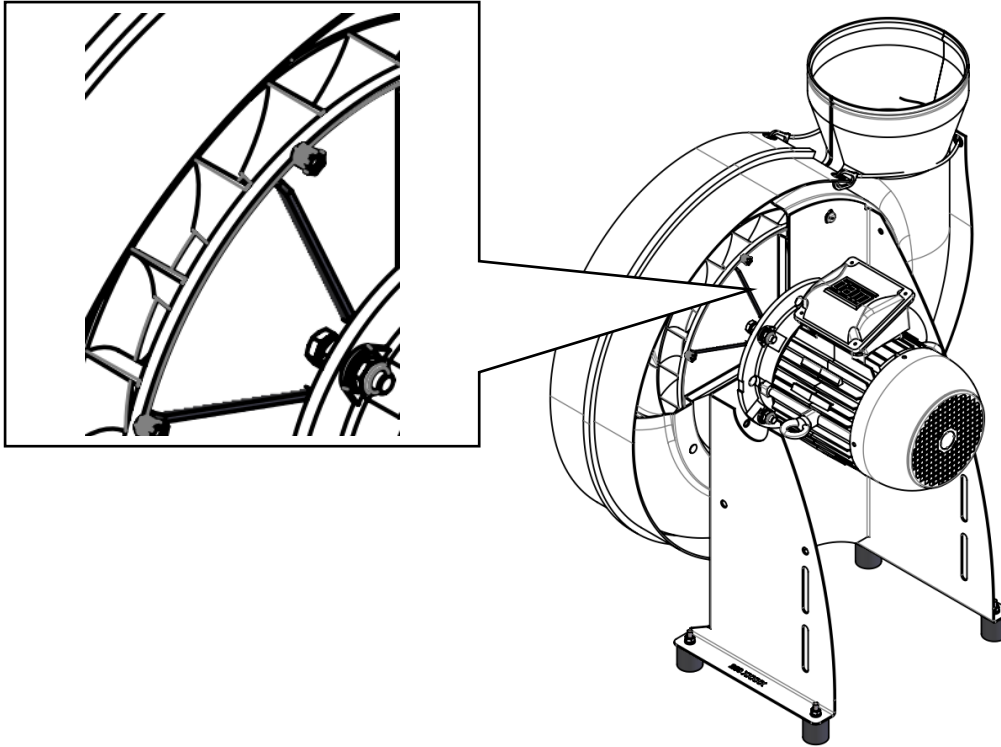
Felt ring seal

- Material PPs, PPs-el, PVDF, felt



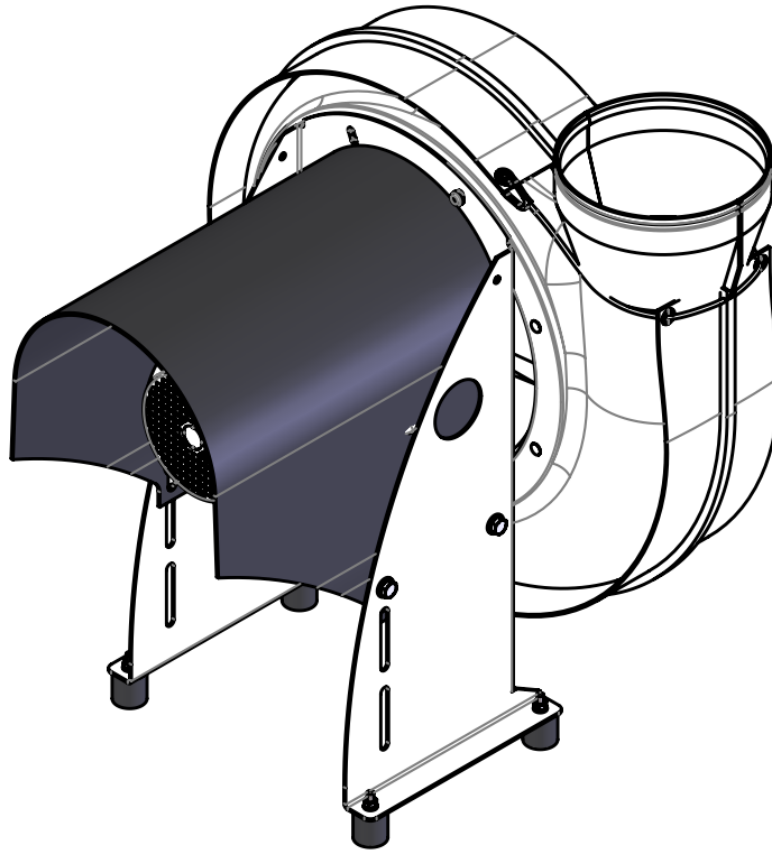
Back plated impeller (negative pressure in the hub area)

- Material PPs, PPs-el, PVDF



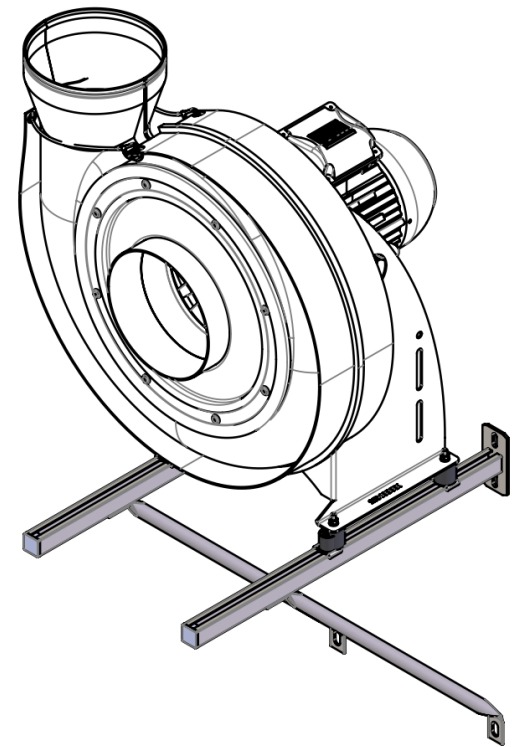
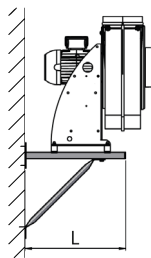
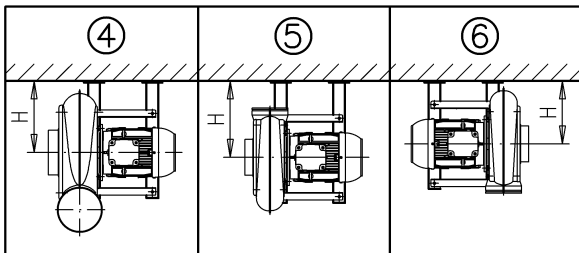
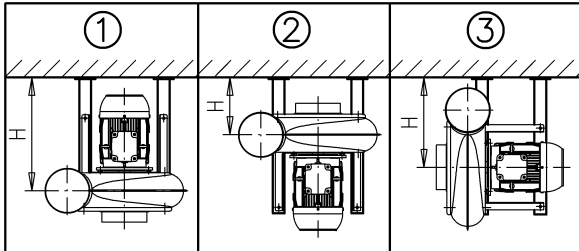
Motor cover

- Material PE, PPs-el (motor cover)
Galvanised, stainless steel (fastening)



Wall brackets

- Material Galvanised, stainless steel

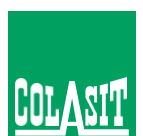


		Mounting positions					
		1	2	3	4	5	6
CMVeco 125	L	500	500	500	500	500	500
	H	480	180	310	270	300	290
CMVeco 160	L	500	500	500	500	500	500
	H	480	180	330	290	300	300
CMVeco 200	L	500	750	750	500	750	750
	H	500	290	470	290	440	440
CMVeco 250	L	750	750	750	750	750	750
	H	690	290	490	420	450	450
CMVeco 315	L	750	750	1000	750	1000	1000
	H	710	280	640	450	580	600
CMVeco 400	L	750	1000	1000	1000	1000	1000
	H	790	400	670	560	580	610

Edition 2024 • Subject to alteration • Copyright by COLASIT AG Spiez

COLASIT Asia Pte Ltd
 Plastic construction • 38 Woodlands Industrial Park E1 #03-04 • Singapore 757700
 Phone +65 6852 35 80/1 • info@colasit.com.sg
 www.colasit.com.sg

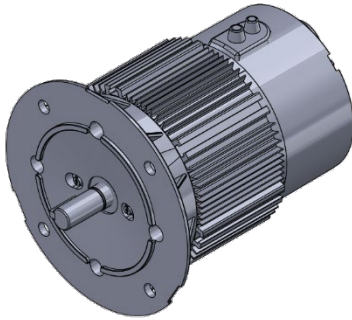
Competence in plastics. Worldwide.



Frequency converter for speed control

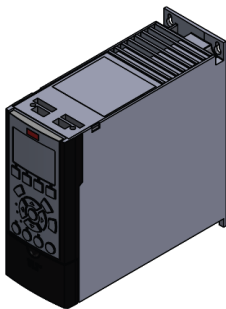
Motor with built-in frequency converter

- Protection class IP55
- Speed adjustment Stepless with external control signal

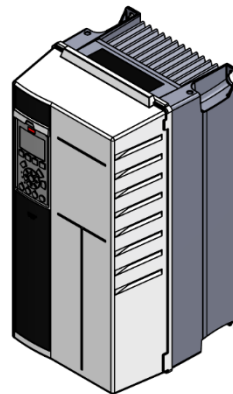


Frequency converter

- Safety class IP20 to IP55
- Speed adjustment Stepless with integrated control panel
Stepless with external control signal



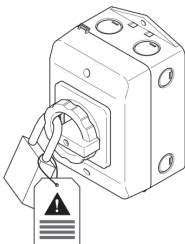
*Frequency converter IP20
for control cabinet installation*



*Frequency converter IP55
for external installation*

Isolation switch

- Protection class IP66
- Revision protection: lockable



Edition 2024 • Subject to alteration • Copyright by COLASIT AG Spiez