

Overview

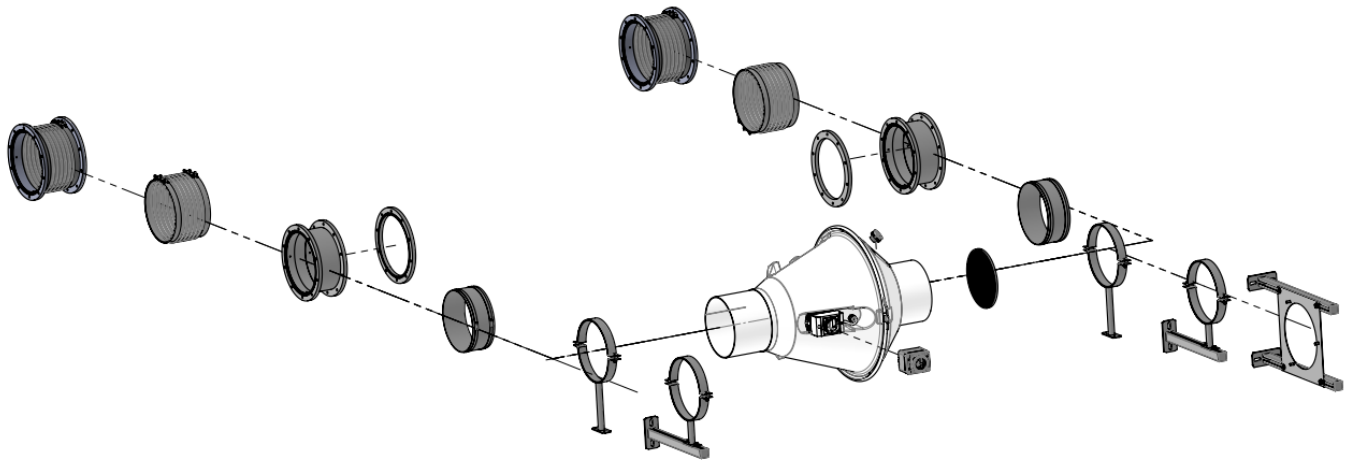


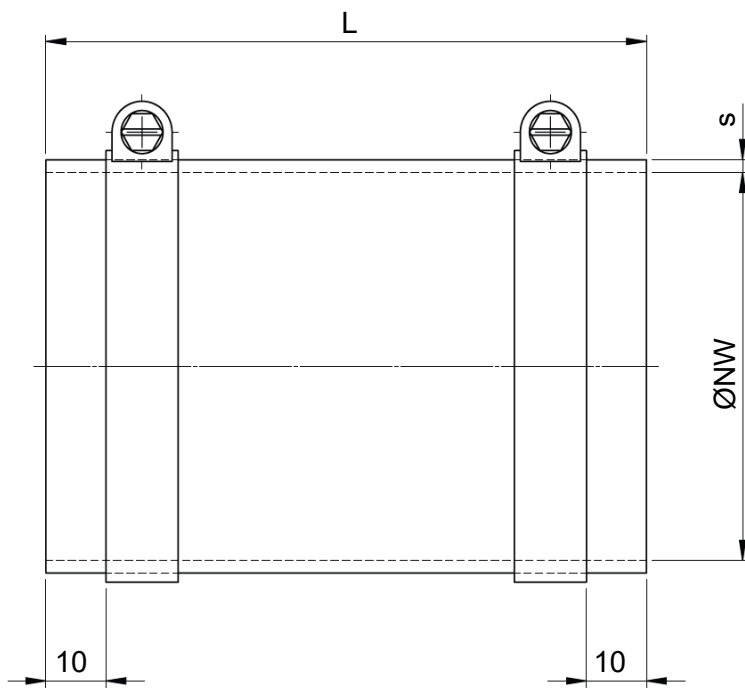
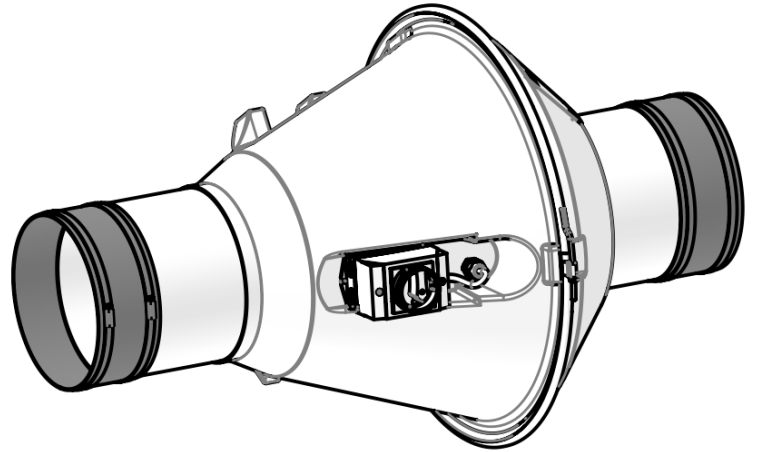
Table of contents

Cuff round with hose clamps *	2
Round sleeve with flange on both sides *	3
Flange CN *	4
Wellflex sleeve with hose clamps *	5
Wellflex collar round with flange on both sides *	6
Protective grid (mesh grille)	7
Casing drain	8
Floor/ceiling mounting CRDV	9
Wall mounting CRDV horizontal	10
Vertical wall mounting	11
Frequency converter for speed control	12
Isolation switch	12

*Required selection for operation

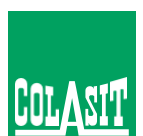
Cuff round with hose clamps *

- Material Soft PVC (cuff)
 Stainless steel (hose clamp)



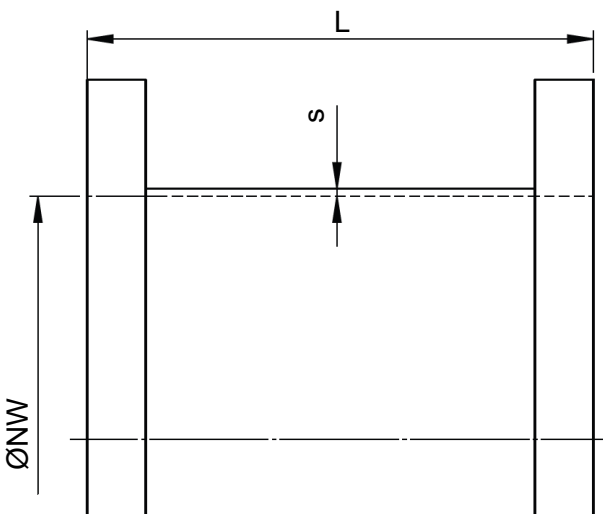
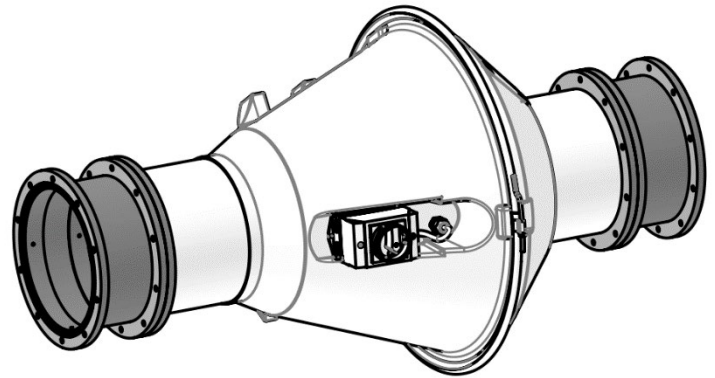
Ø NW	L	s
200, 250, 315	100	2

Edition 2024 • Subject to alteration • Copyright by COLASIT AG Spiez



Round sleeve with flange on both sides *

- Material PVC (flange)
 Soft PVC (cuff)
- Application in combination with «Flange CN»

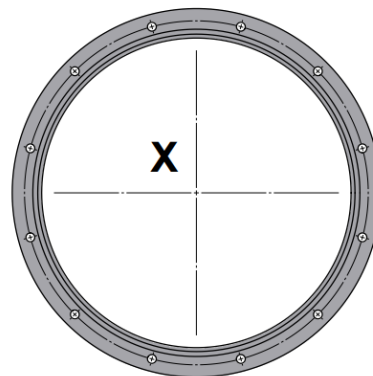
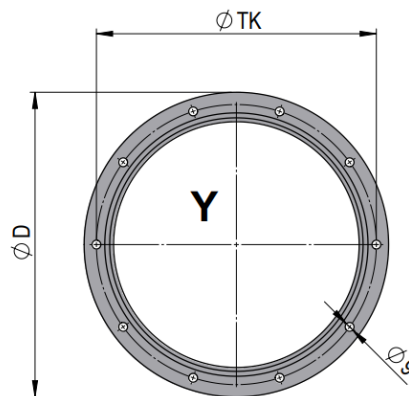
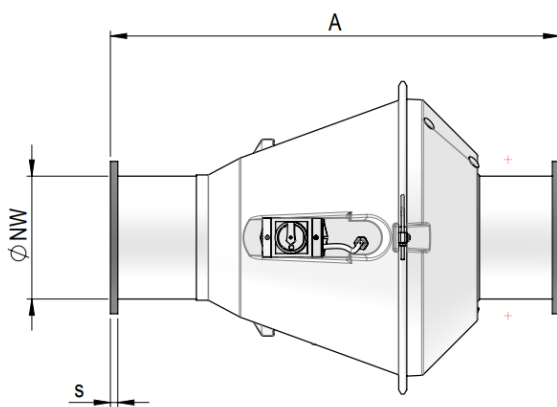
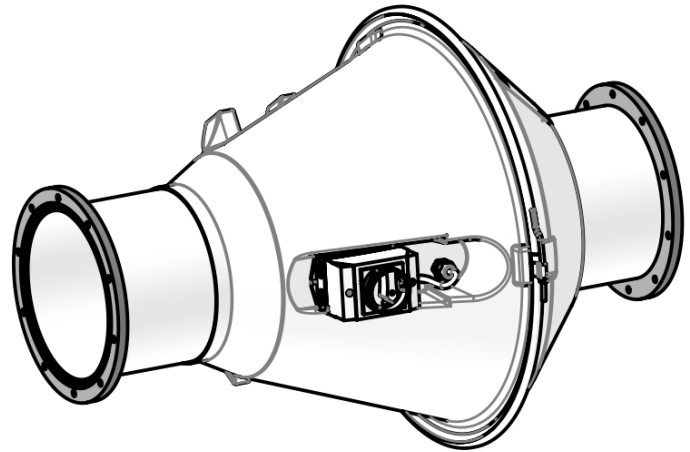


Ø NW	L	s
200, 250, 315	130	2

Edition 2024 • Subject to alteration • Copyright by COLASIT AG Spiez

Flange CN *

- Material PPs, PPs-el (same as housing)

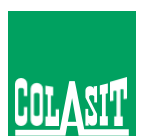


Ø NW	A	Ø D	Ø TC	No. Ø9	s	Hole pattern
200	810	260	235	10	15	Y
250	915	310	285	10	15	Y
315	1041	375	350	12	15	X

Edition 2024 • Subject to alteration • Copyright by COLASIT AG Spiez

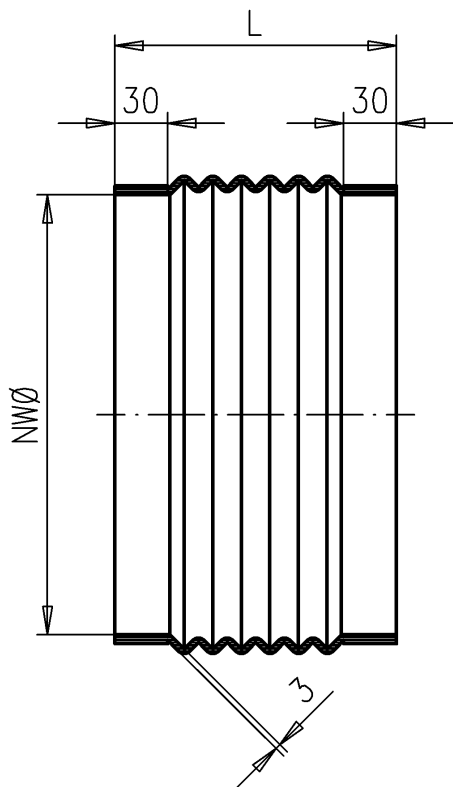
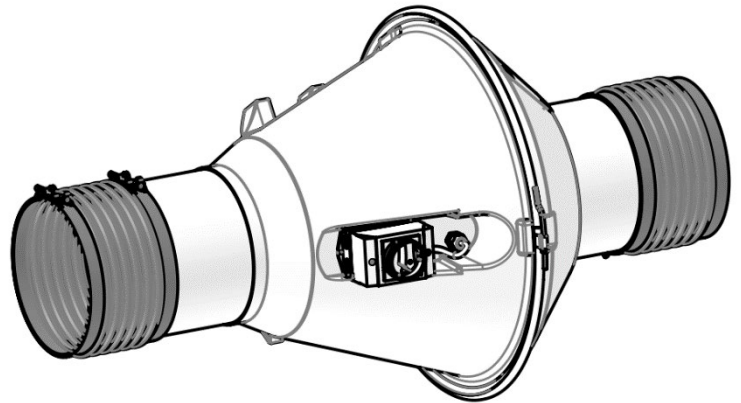
COLASIT Asia Pte Ltd
 Plastic construction • 38 Woodlands Industrial Park E1 #03-04 • Singapore 757700
 Phone +65 6852 35 80/1 • info@colasit.com.sg
www.colasit.com.sg

Competence in plastics. Worldwide.



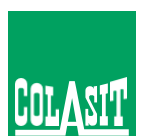
Wellflex sleeve with hose clamps *

- Material PVC-el (sleeve, electrically conductive)
 galvanised (hose clamp)
- Application ATEX (Zone 1)



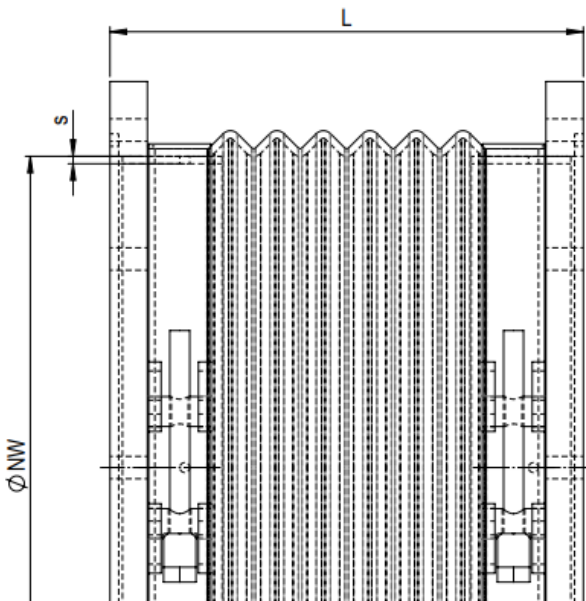
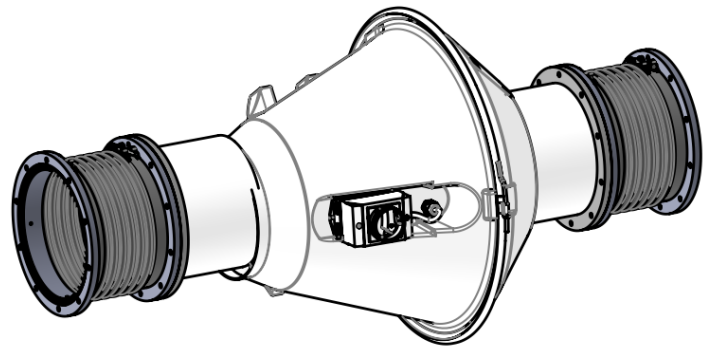
NW Ø	L
200	155
250, 315	160

Edition 2024 • Subject to alteration • Copyright by COLASIT AG Spiez



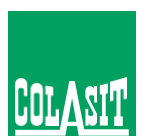
Wellflex collar round with flange on both sides *

- Material PVC (flange)
PVC-el (sleeve, electrically conductive)
galvanised (hose clamp)
- Application ATEX (Zone 1)
in combination with «Flange CN»



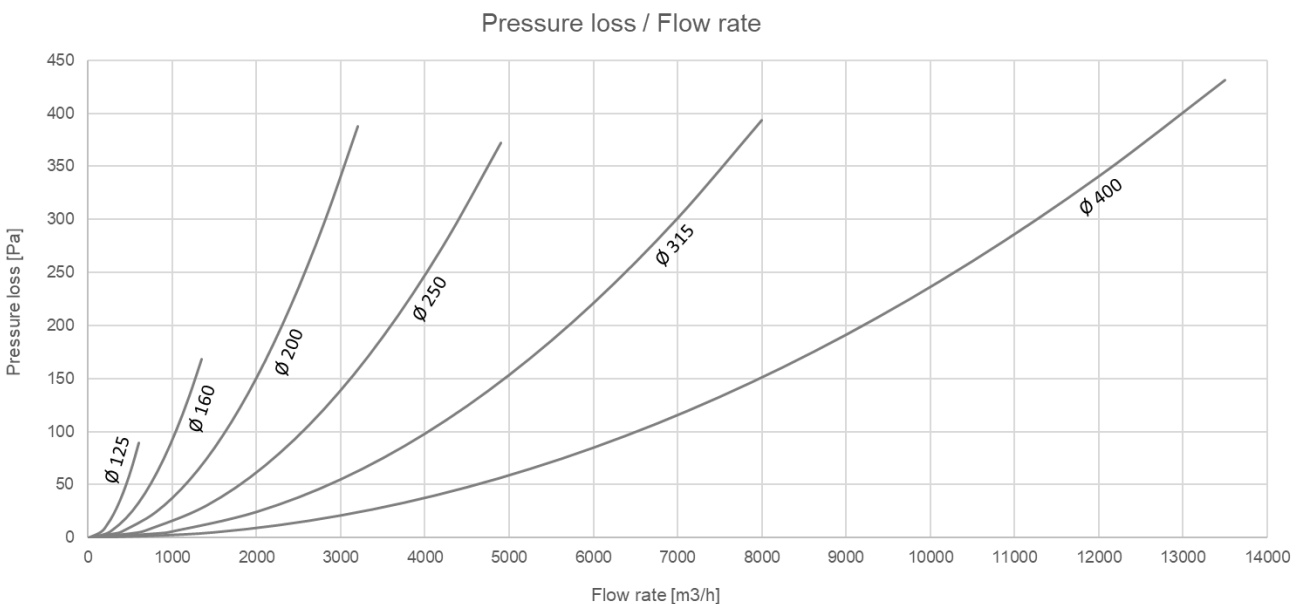
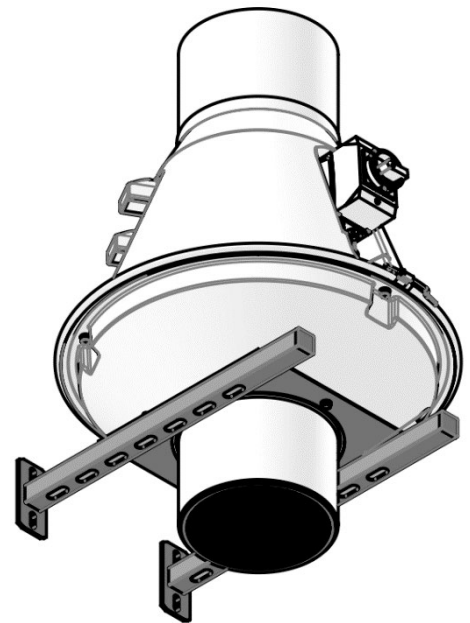
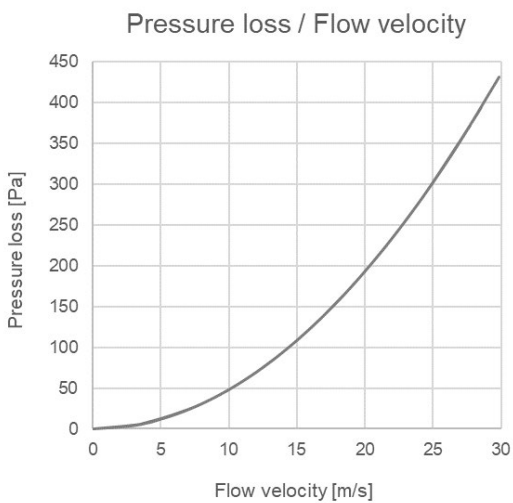
Ø NW	L	s
200, 250, 315	190	3

Edition 2024 • Subject to alteration • Copyright by COLASIT AG Spiez



Protective grid (mesh grille)

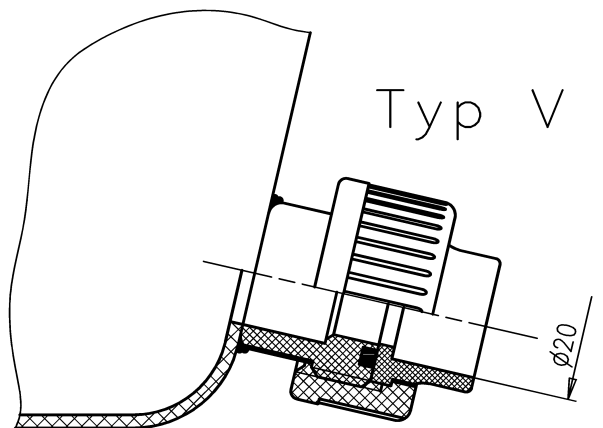
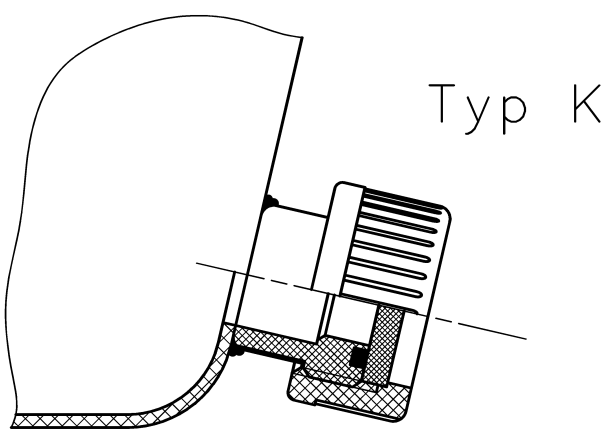
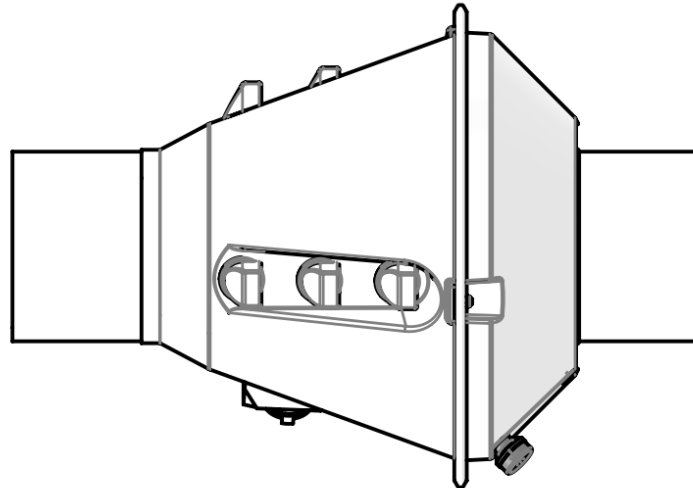
- Material PPs, PPs-el (same as housing)
- Square perforation 10mm (IP20)
- Free cross-section 69.4%
- Mounting welded on
- Application only with free sucking or blowing out required



Edition 2024 • Subject to alteration • Copyright by COLASIT AG Spiez

Casing drain

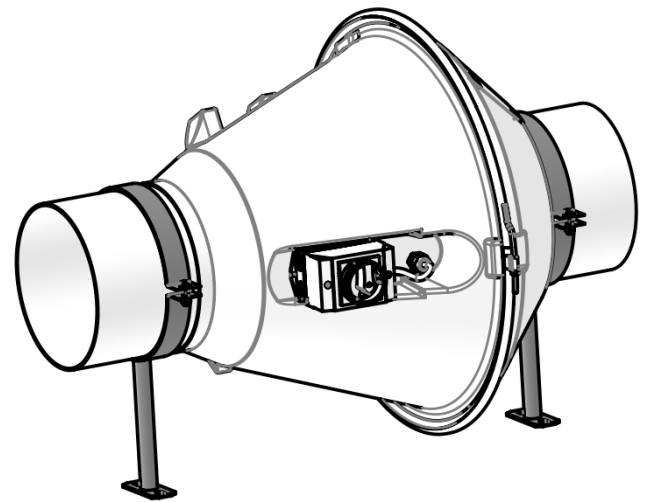
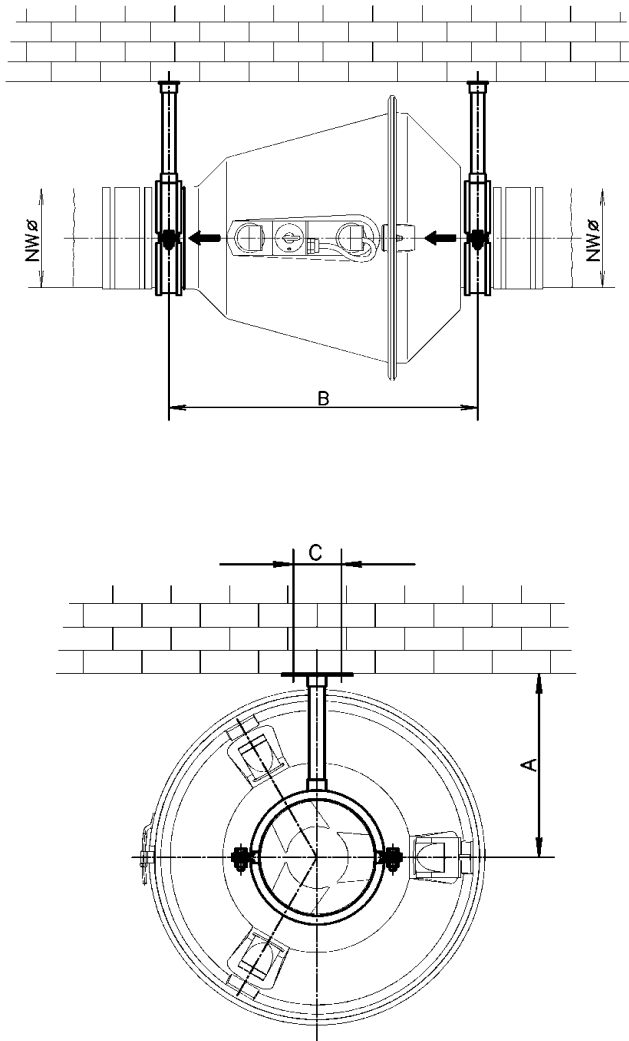
- Material PP



Fan type	with cap	with threaded fasteners
CRDV-R 200-315	Type K	Type V

Floor/ceiling mounting CRDV

- Material Galvanised, stainless steel

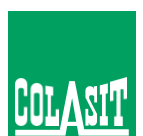


CRDV	200/180 200/200	250/225 250/250	315/280 315/315
NW Ø	200	250	315
A	315	345	380
B	630	645	670
C	83	83	83

Edition 2024 • Subject to alteration • Copyright by COLASIT AG Spiez

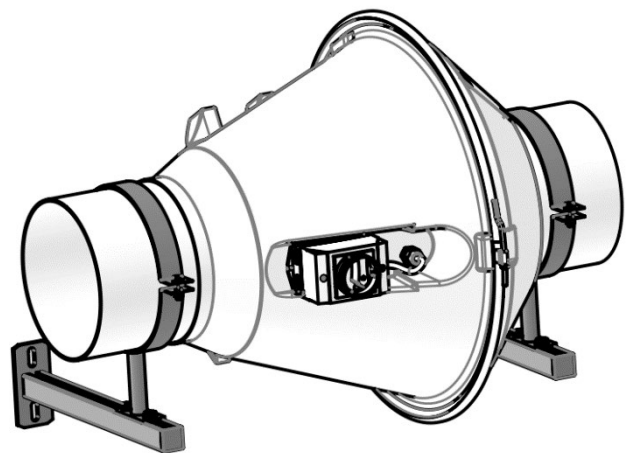
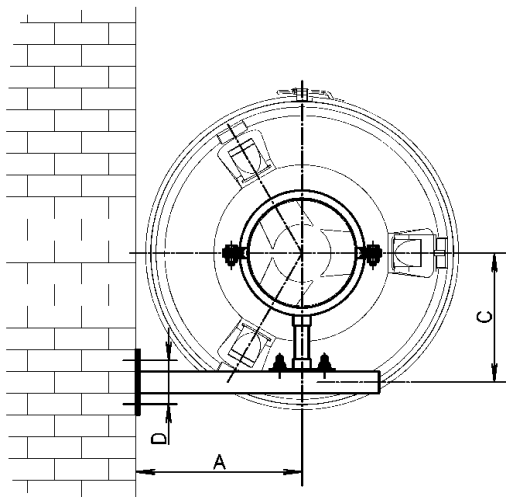
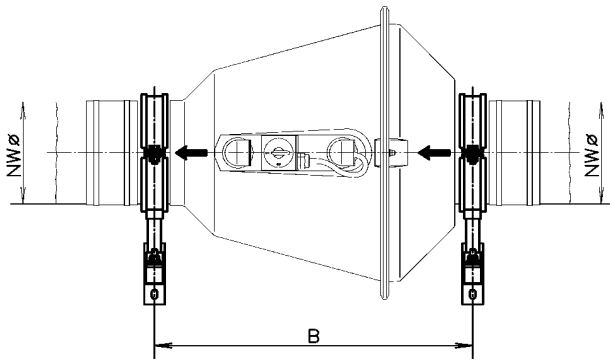
COLASIT Asia Pte Ltd
 Plastic construction • 38 Woodlands Industrial Park E1 #03-04 • Singapore 757700
 Phone +65 6852 35 80/1 • info@colasit.com.sg
www.colasit.com.sg

Competence in plastics. Worldwide.



Wall mounting CRDV horizontal

- Material Galvanised, stainless steel



CRDV	200/180 200/200	250/225 250/250	315/280 315/315
NW Ø	200	250	315
A	315	345	380
B	630	645	670
C	240	265	298
D	80	80	80

Edition 2024 • Subject to alteration • Copyright by COLASIT AG Spiez

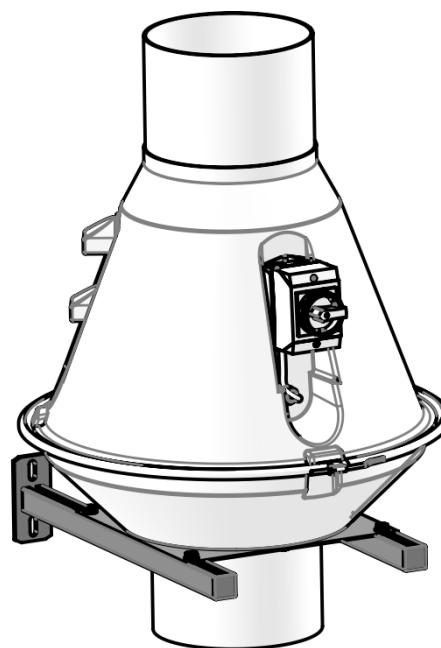
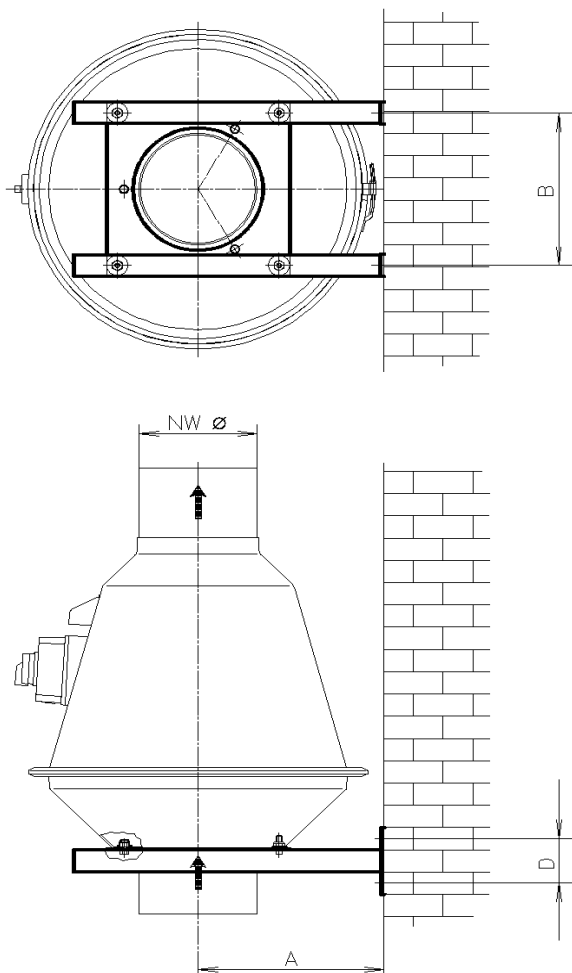
COLASIT Asia Pte Ltd
 Plastic construction • 38 Woodlands Industrial Park E1 #03-04 • Singapore 757700
 Phone +65 6852 35 80/1 • info@colasit.com.sg
www.colasit.com.sg

Competence in plastics. Worldwide.



Vertical wall mounting

- Material Galvanised, stainless steel



CRDV	200	250	315
NW Ø	200	250	315
A	315	345	380
B	274	318	374
C	80	80	80

Edition 2024 • Subject to alteration • Copyright by COLASIT AG Spiez

COLASIT Asia Pte Ltd
 Plastic construction • 38 Woodlands Industrial Park E1 #03-04 • Singapore 757700
 Phone +65 6852 35 80/1 • info@colasit.com.sg
www.colasit.com.sg

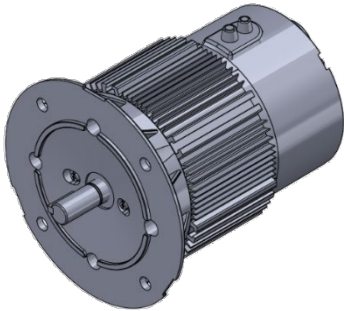
Competence in plastics. Worldwide.



Frequency converter for speed control

Motor with built-in frequency inverter

- Protection class IP55
- Speed adjustment Stepless with external control signal



Frequency converter for speed control

- Safety class IP20 to IP55
- Speed adjustment Stepless with integrated control panel
Stepless with external control signal



*Frequency converter IP20
for control cabinet installation*

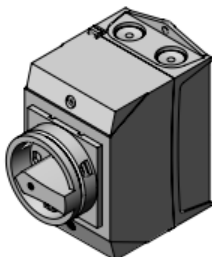


*Frequency converter IP55
for external installation*

Isolation switch

Note: Mounted depending on the fan version

- Protection class IP66
- Fuse: 10A
- Revision protection: lockable



Standard version



EX version

Edition 2024 • Subject to alteration • Copyright by COLASIT AG Spiez